

# LEGRABOX pure

Orion Grey / Stainless Steel

UK Stock Programme

 **blum**®

[www.blum.com](http://www.blum.com)



### Slimline design...



The LEGRABOX design supports current living trends and opens up a wide range of design options. The impressively slim 12.8 mm side panels, which are straight on the inside and outside, can be installed seamlessly into any furniture.

### 5 drawer heights...



The LEGRABOX range is available in 5 different height options. Whether you are using an ultra thin worktop and require a drawer under the hob or opting for a wide, deep pull-out to maximise storage, LEGRABOX has a solution.

### Seamless transitions...



All components of LEGRABOX are perfectly coordinated with one another and form harmonious transitions.

### Stability for high fronts...



High fronts are becoming more and more significant as a design element. LEGRABOX supports this design trend with a new type of front fixing bracket that guarantees maximum stability when opening and closing.

### Individual branding...



The branding is an integral part of the LEGRABOX design and can be printed with a company logo or name. With a choice of colours and finishes there is an opportunity to be simple and reserved or deliberately accentuated.

### All round adjustment...



Height and side adjustment: The height (+/- 2 mm) and sides (+/- 1.5 mm) can be adjusted with precision using Torx screws.  
Tilt adjustment: The tilt adjustment is very easy to perform thanks to its position at the rear on the inside of the drawer side.

## Easy removal...



Thanks to the holding position, even wide fronts can easily be removed by one person alone.

## TIP-ON...



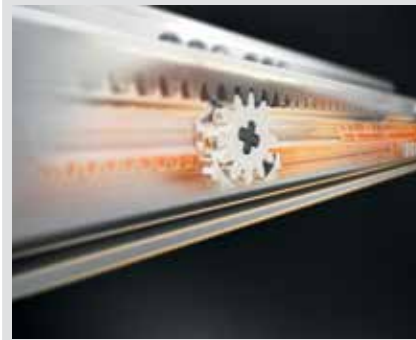
The integrated TIP-ON system can be used to open and close handle-less furniture with just a simple press.

## Carrying capacity...



LEGRABOX performance is outstanding even when fully extended and heavily loaded. The cabinet profile also makes solutions close to the floor possible thanks to its low sag values. Even wide and heavy pull-outs have a smooth running action thanks to the high dynamic carrying capacities of 40 and 70 kg.

## Side stabilisation...



The design of LEGRABOX offers a greatly improved running action and level of stability. As drawers become wider and deeper we have designed an optional side stabilisation add-on which further enhances the performance of wide/high fronted pull-outs and reduces the potential of lateral movement.

## BLUMOTION...



The integrated, adaptive, dampening system always closes softly and effortlessly, regardless of the size of drawer.

## AMBIA-LINE...



The new inner dividing system for LEGRABOX ensures perfect organisation in all living areas with an elegant frame design. Easy utilisation and versatile application, AMBIA-LINE is organisation at its best.

BLUMOTION / TIP-ON runners for LEGRABOX pull-outs & drawers



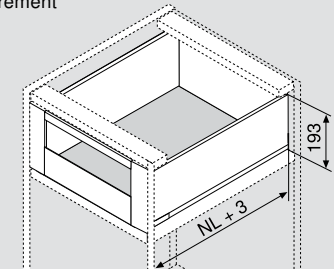
Pages

6 - 7

"C" height internal pull-out with cross gallery frontal



Space requirement



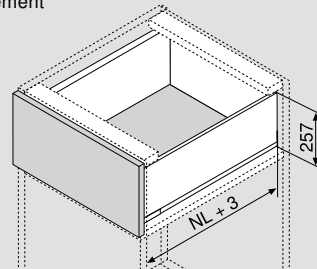
Pages

12 - 13

"F" height pull-out



Space requirement



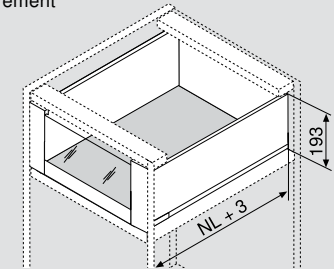
Pages

8 - 9

"C" height internal pull-out with design element frontal



Space requirement



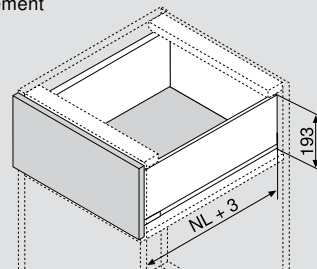
Pages

14 - 15

"C" height pull-out



Space requirement



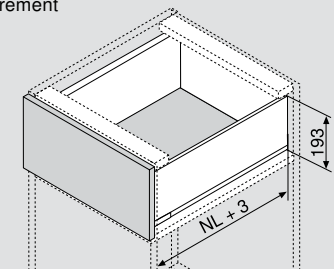
Pages

10 - 11

"C" height sink pull-out



Space requirement



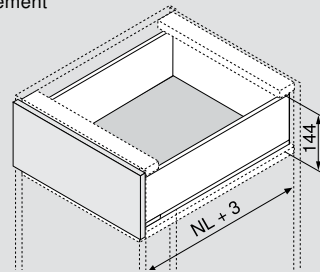
Pages

16 - 17

“K” height drawer



Space requirement



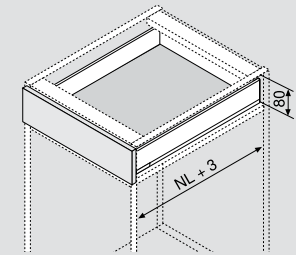
Pages

18 - 19

“N” height drawer



Space requirement



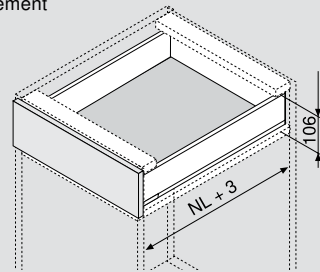
Pages

24 - 25

“M” height drawer



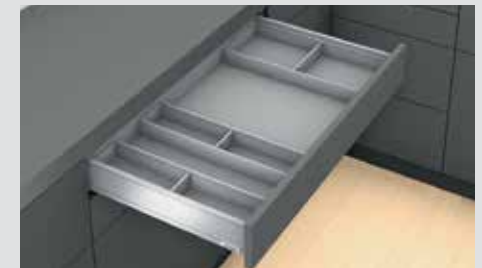
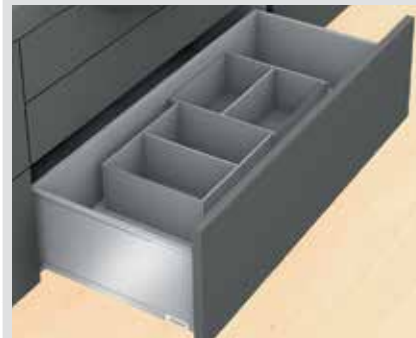
Space requirement



Pages

20 - 21

AMBIA-LINE for LEGRABOX pull-outs and drawers



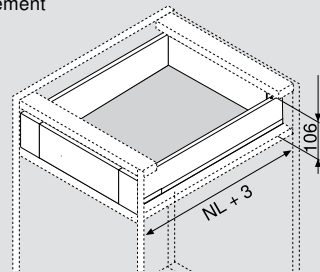
Pages

26 - 27

“M” height internal drawer



Space requirement



Pages

22 - 23

Assembly devices and technical information



Pages

28 - 42





# LEGRABOX pure

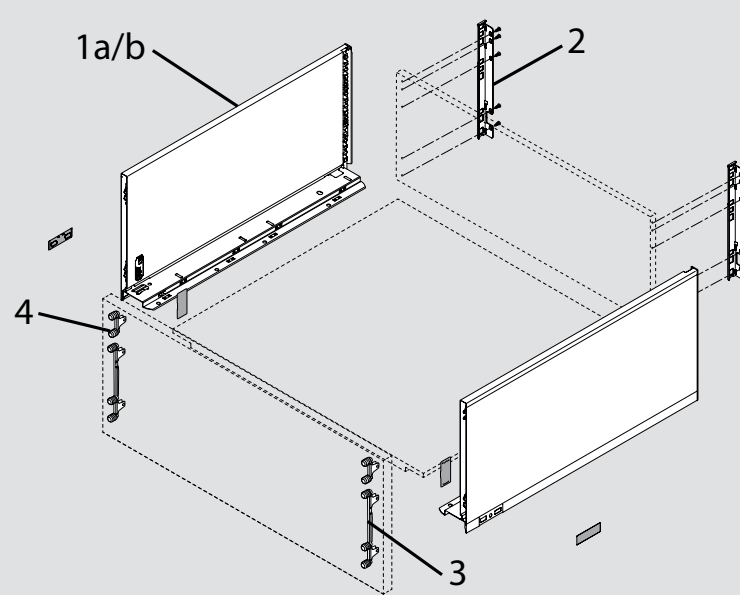


## "F" height pull-out

### Product image



### Component list



- 1a "F" height pull-out side (L/R) - ORION GREY
- 1b "F" height pull-out side (L/R) - STAINLESS STEEL
- 2 "F" height back fixing bracket for MFC back (L/R)
- 3 Symmetrical "C" height front fixing bracket
- 4 Symmetrical "M" height front fixing bracket

### Order specification

1a	"F" height pull-out side (L/R) - ORION GREY			
	Nominal length NL	Format	ORION GREY (OG-M)	Order Multiple
	450 mm	Set*	770F4502S	1
	500 mm	Set*	770F5002S	1
	550 mm	Set*	770F5502S	1

1b	"F" height pull-out side (L/R) - STAINLESS STEEL			
	Nominal length NL	Format	STAINLESS STEEL (INGL)	Order Multiple
	450 mm	Set*	770F4502I	1
	500 mm	Set*	770F5002I	1
	550 mm	Set*	770F5502I	1

2	"F" height back fixing bracket for MFC back (L/R)		
			Order Multiple
	ORION GREY (OG-M)	ZB7F000S	25
	STAINLESS STEEL (NI)	ZB7F000S	25

3	Symmetrical "C" height front fixing bracket		
			Order Multiple
	Screw-on	ZF7C7002	100

\*Supplied with Blum branded internal & external cover caps

\*Supplied with Blum branded internal & external cover caps





# LEGRABOX pure

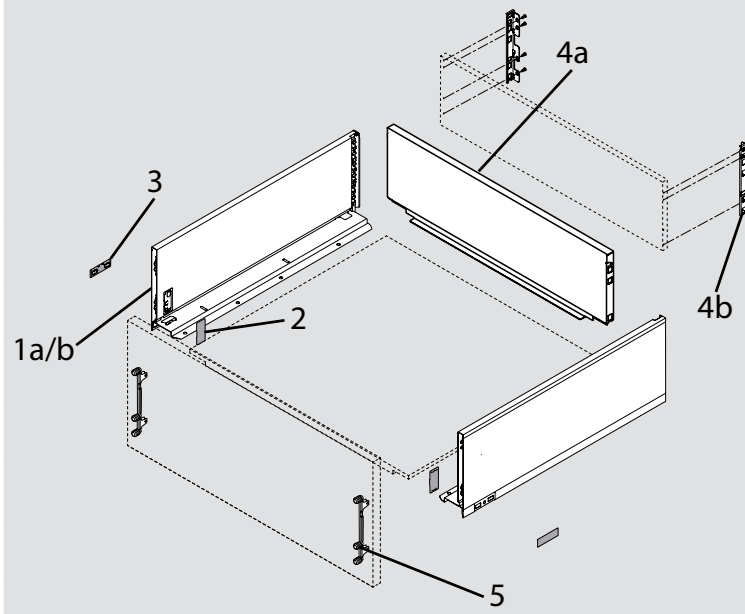


## "C" height pull-out

### Product image



### Component list



1a	"C" height pull-out side (L/R) - ORION GREY
1b	"C" height pull-out side (L/R) - STAINLESS STEEL
2	Symmetrical Blum internal cover cap
3	Symmetrical plain external cover cap
4a	"C" height steel back (ORION GREY only)
4b	"C" height back fixing bracket for MFC back (L/R)
5	Symmetrical "C" height front fixing bracket

### Order specification

1a	"C" height pull-out side (L/R) - ORION GREY			
	Nominal length NL	Format	ORION GREY (OG-M)	Order Multiple
	270 mm	Set*	770C2702S	1
	350 mm	Set*	770C3502S	1
	400 mm	Set*	770C4002S	1
	450 mm	L / R	770C4502S	6
	500 mm	L / R	770C5002S	6
	550 mm	Set*	770C5502S	1
	600 mm	Set*	770C6002S	1
	650 mm	Set*	770C6502S	1

\*Supplied with Blum branded internal & external cover caps

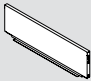
1b	"C" height pull-out side (L/R) - STAINLESS STEEL			
	Nominal length NL	Format	STAINLESS STEEL (IN-G)	Order Multiple
	270 mm	Set*	770C2702I	1
	350 mm	Set*	770C3502I	1
	400 mm	Set*	770C4002I	1
	450 mm	Set*	770C4502I	1
	500 mm	Set*	770C5002I	1
	550 mm	Set*	770C5502I	1
	600 mm	Set*	770C6002I	1
	650 mm	Set*	770C6502I	1


\*Supplied with Blum branded internal & external cover caps


2	Symmetrical Blum internal cover cap		
			Order Multiple
	ORION GREY (OG-M)	ZA7.5700.BT	1000
	STAINLESS STEEL (IN-G)	ZA7.5709.BT	1000

3	Symmetrical plain external cover cap		
			Order Multiple
	ORION GREY (OG-M)	ZA7.0700	1000
	STAINLESS STEEL (IN-G)	ZA7.0709	1000

## "C" height pull-out

4a	"C" height steel back (ORION GREY only)		
	Nominal width (Based on 18 mm carcass)	ORION GREY (OG-M)	Order Multiple
	300 mm	ZB7C232S	24
	400 mm	ZB7C332S	12
	450 mm	ZB7C382S	12
	500 mm	ZB7C432S	12
	600 mm	ZB7C532S	12
	800 mm	ZB7C732S	12
	900 mm	ZB7C832S	12
	1000 mm	ZB7C932S	12
	1200 mm	ZB7C1132S	12

4b	"C" height back fixing bracket for MFC back (L/R)		
			Order Multiple
	ORION GREY (OG-M)	ZB7C000S	48
	STAINLESS STEEL (NI)	ZB7C000S	48

5	Symmetrical "C" height front fixing bracket		
			Order Multiple
	Screw-on	ZF7C7002	100

### Product images



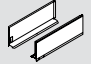




## LEGRABOX pure



### Order example

#### Order example - "C" height pull-out only, runners not included

LEGRABOX pure "C" height pull-out in ORION GREY, 600 mm wide, 500 mm nominal length, with steel back and symmetrical front fixing brackets. (Note: order multiples apply to all orders)

Product image	Part number	Short description	Qty per pull-out
	770C5002S L OG-M	L/H 500 mm length "C" height pull-out side	1
	770C5002S R OG-M	R/H 500 mm length "C" height pull-out side	1
	ZA7.5700.BT OG-M	Symmetrical Blum internal cover cap	2
	ZA7.0700 OG-M	Symmetrical plain external cover cap	2
	7B7C532S OG-M	600 mm wide "C" height steel back	1
	ZF7C7002	Symmetrical "C" height front fixing bracket	2

#### Additional information

BLUMOTION / TIP-ON runners	Pages	6 - 7
AMBIA-LINE	Pages	26 - 27
Assembly devices	Pages	28 - 29
Technical information	Pages	30 - 42

# LEGRABOX pure



## "C" height internal pull-out with cross gallery frontal

Product image



Component list

1a	"C" height pull-out side (L/R) - ORION GREY
1b	"C" height pull-out side (L/R) - STAINLESS STEEL
2	Symmetrical Blum internal cover cap
3	Symmetrical plain external cover cap
4a	"C" height steel back (ORION GREY only)
4b	"C" height back fixing bracket for MFC back (L/R)
5a	"C" height internal pull-out front (Pre-assembled)
5b	"C" height internal pull-out front (Pre-assembled)
5c	"C" height internal pull-out front (cut to size)

### Order specification

1a	"C" height pull-out side (L/R) - ORION GREY			
	Nominal length NL	Format	ORION GREY (OG-M)	Order Multiple
	270 mm	Set*	770C2702S	1
	350 mm	Set*	770C3502S	1
	400 mm	Set*	770C4002S	1
	450 mm	L / R	770C4502S	6
	500 mm	L / R	770C5002S	6
	550 mm	Set*	770C5502S	1
	600 mm	Set*	770C6002S	1
	650 mm	Set*	770C6502S	1

1b	"C" height pull-out side (L/R) - STAINLESS STEEL			
	Nominal length NL	Format	STAINLESS STEEL (INGL)	Order Multiple
	270 mm	Set*	770C2702I	1
	350 mm	Set*	770C3502I	1
	400 mm	Set*	770C4002I	1
	450 mm	Set*	770C4502I	1
	500 mm	Set*	770C5002I	1
	550 mm	Set*	770C5502I	1
	600 mm	Set*	770C6002I	1
	650 mm	Set*	770C6502I	1

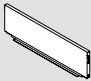
2	Symmetrical Blum internal cover cap		
			Order Multiple
	ORION GREY (OG-M)	ZA7.5700.BT	1000
	STAINLESS STEEL (IN-G)	ZA7.5709.BT	1000

3	Symmetrical plain external cover cap		
			Order Multiple
	ORION GREY (OG-M)	ZA7.0700	1000
	STAINLESS STEEL (IN-G)	ZA7.0709	1000

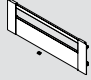
\*Supplied with Blum branded internal & external cover caps

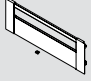
\*Supplied with Blum branded internal & external cover caps


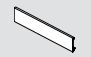

## "C" height internal pull-out with cross gallery frontal

4a	"C" height steel back (ORION GREY only)		
	Nominal width (Based on 18 mm carcass)	ORION GREY (OG-M)	Order Multiple
	300 mm	ZB7C232S	24
	400 mm	ZB7C332S	12
	450 mm	ZB7C382S	12
	500 mm	ZB7C432S	12
	600 mm	ZB7C532S	12
	800 mm	ZB7C732S	12
	900 mm	ZB7C832S	12
	1000 mm	ZB7C932S	12
	1200 mm	ZB7C1132S	12

4b	"C" height back fixing bracket for MFC back (L/R)		
			Order Multiple
	ORION GREY (OG-M)	ZB7C000S	48
	STAINLESS STEEL (NI)	ZB7C000S	48

5a	"C" height internal pullout front (Pre-assembled)		
	Nominal width (Based on 18 mm carcass)	ORION GREY (OG-M)	Order Multiple
	300 mm	ZW7.250CR	12
	400 mm	ZW7.350CR	6
	450 mm	ZW7.400CR	6
	500 mm	ZW7.450CR	6
	600 mm	ZW7.550CR	6
	800 mm	ZW7.750CR	6
	900 mm	ZW7.850CR	6
	1000 mm	ZW7.950CR	6
	1200 mm	ZW7.1150CR	6

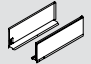

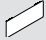


5b	"C" height internal pullout front (Pre-assembled)		
	Nominal width (Based on 18 mm carcass)	STAINLESS STEEL (ELN2)	Order Multiple
	300 mm	ZW7.250CR	12
	400 mm	ZW7.350CR	6
	450 mm	ZW7.400CR	6
	500 mm	ZW7.450CR	6
	600 mm	ZW7.550CR	6
	800 mm	ZW7.750CR	6
	900 mm	ZW7.850CR	6
	1000 mm	ZW7.950CR	6
	1200 mm	ZW7.1150CR	6

5c	"C" height internal pullout front (cut to size)		
			Order Multiple
	ORION GREY (OG-M)	ZI7.3CS0	1
	STAINLESS STEEL (INGL)	ZI7.3CI0	1
	ORION GREY (OG-M)	ZV7.1043C01	12
	STAINLESS STEEL (ELN2)	ZV7.1043C01	12
	ORION GREY (OG-M)	ZR7.1080U	20
	STAINLESS STEEL (ELN2)	ZR7.1080U	20

## LEGRABOX pure



### Order example

Order example - "C" height pull-out only, runners not included			
LEGRABOX pure "C" height pull-out in ORION GREY, 600 mm wide, 500 mm nominal length, with steel back and pre-assembled internal pull-out front. (Note: order multiples apply to all orders)			
Product image	Part number	Short description	Qty per pull-out
	770C5002S L OG-M	L/H 500 mm length "C" height pull-out side	1
	770C5002S R OG-M	R/H 500 mm length "C" height pull-out side	1
	ZA7.5700.BT OG-M	Symmetrical Blum internal cover cap	2
	ZA7.0700 OG-M	Symmetrical plain external cover cap	2
	7B7C532S OG-M	600 mm wide "C" height steel back	1
	ZW7.550CR OG-M	Pre-assembled internal pull-out front	1

Additional information		
BLUMOTION / TIP-ON runners	Pages	6 - 7
AMBIA-LINE	Pages	26 - 27
Assembly devices	Pages	28 - 29
Technical information	Pages	30 - 42

# LEGRABOX pure

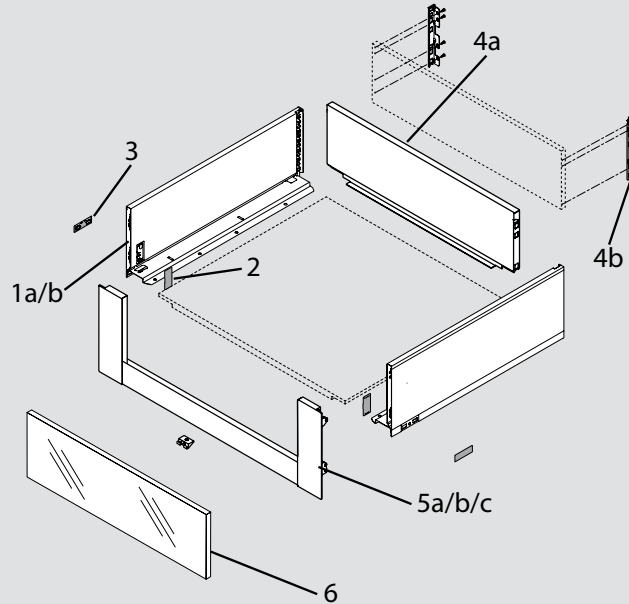


## "C" height internal pull-out with full height design element

Product image



Component list



1a	"C" height pull-out side (L/R) - ORION GREY
1b	"C" height pull-out side (L/R) - STAINLESS STEEL
2	Symmetrical Blum internal cover cap
3	Symmetrical plain external cover cap
4a	"C" height steel back (ORION GREY only)
4b	"C" height back fixing bracket for MFC back (L/R)
5a	"C" height internal pull-out front (Pre-assembled) - OG-M
5b	"C" height internal pull-out front (Pre-assembled) - ELN2
5c	"C" height internal pull-out front (cut to size)
6	Full height design element

### Order specification

1a	"C" height pull-out side (L/R) - ORION GREY			
	Nominal length NL	Format	ORION GREY (OG-M)	Order Multiple
	270 mm	Set*	770C2702S	1
	350 mm	Set*	770C3502S	1
	400 mm	Set*	770C4002S	1
	450 mm	L / R	770C4502S	6
	500 mm	L / R	770C5002S	6
	550 mm	Set*	770C5502S	1
	600 mm	Set*	770C6002S	1
	650 mm	Set*	770C6502S	1

1b	"C" height pull-out side (L/R) - STAINLESS STEEL			
	Nominal length NL	Format	STAINLESS STEEL (INGL)	Order Multiple
	270 mm	Set*	770C2702I	1
	350 mm	Set*	770C3502I	1
	400 mm	Set*	770C4002I	1
	450 mm	Set*	770C4502I	1
	500 mm	Set*	770C5002I	1
	550 mm	Set*	770C5502I	1
	600 mm	Set*	770C6002I	1
	650 mm	Set*	770C6502I	1

2	Symmetrical Blum internal cover cap		
			Order Multiple
	ORION GREY (OG-M)	ZA7.5700.BT	1000
	STAINLESS STEEL (IN-G)	ZA7.5709.BT	1000

3	Symmetrical plain external cover cap		
			Order Multiple
	ORION GREY (OG-M)	ZA7.0700	1000
	STAINLESS STEEL (IN-G)	ZA7.0709	1000

\*Supplied with Blum branded internal & external cover caps

\*Supplied with Blum branded internal & external cover caps

## "C" height internal pull-out with full height design element

LEGRABOX pure



4a	"C" height steel back (ORION GREY only)		
	Nominal width (Based on 18 mm carcass)	ORION GREY (OG-M)	Order Multiple
	600 mm	ZB7C532S	12
	800 mm	ZB7C732S	12
	900 mm	ZB7C832S	12

4b	"C" height back fixing bracket for MFC back (L/R)		
			Order Multiple
	ORION GREY (OG-M)	ZB7C000S	48
	STAINLESS STEEL (NI)	ZB7C000S	48

5a	"C" height internal pull-out front (Pre-assembled)		
	Nominal width (Based on 18 mm carcass)	ORION GREY (OG-M)	Order Multiple
	600 mm	ZW7.550CN	6
	800 mm	ZW7.750CN	6
	900 mm	ZW7.850CN	6

5b	"C" height internal pull-out front (Pre-assembled)		
	Nominal width (Based on 18 mm carcass)	STAINLESS STEEL (ELN2)	Order Multiple
	600 mm	ZW7.550CN	6
	800 mm	ZW7.750CN	6
	900 mm	ZW7.850CN	6

5c	"C" height internal pull-out front (cut to size)		
			Order Multiple
	ORION GREY (OG-M)	ZI7.2CS0	1
	STAINLESS STEEL (INGL)	ZI7.2CI0	1
	ORION GREY (OG-M)	ZV7.1043MN1	24
	STAINLESS STEEL (ELN2)	ZV7.1043MN1	24

6	Full height design element		
	Nominal width (Based on 18 mm carcass)	Clear glass (KL)	Order Multiple
	600 mm	ZE7W482G	1
	800 mm	ZE7W682G	1
	900 mm	ZE7W782G	1
	Cut to size	ZE7W1082G	1

### Order example

#### Order example - "C" height pull-out only, runners not included

LEGRABOX pure "C" height pull-out in ORION GREY, 600 mm wide, 500 mm nominal length, with steel back and pre-assembled internal pull-out front.  
(Note: order multiples apply to all orders)

Product image	Part number	Short description	Qty per pull-out
	770C5002S L OG-M	L/H 500 mm length "C" height pull-out side	1
	770C5002S R OG-M	R/H 500 mm length "C" height pull-out side	1
	ZA7.5700.BT OG-M	Symmetrical Blum internal cover cap	2
	ZA7.0700 OG-M	Symmetrical plain external cover cap	2
	7B7C532S OG-M	600 mm wide "C" height steel back	1
	ZW7.550CN OG-M	Pre-assembled internal pull-out front	1
	ZE7W482G KL	600 mm wide full height design element	1

#### Additional information

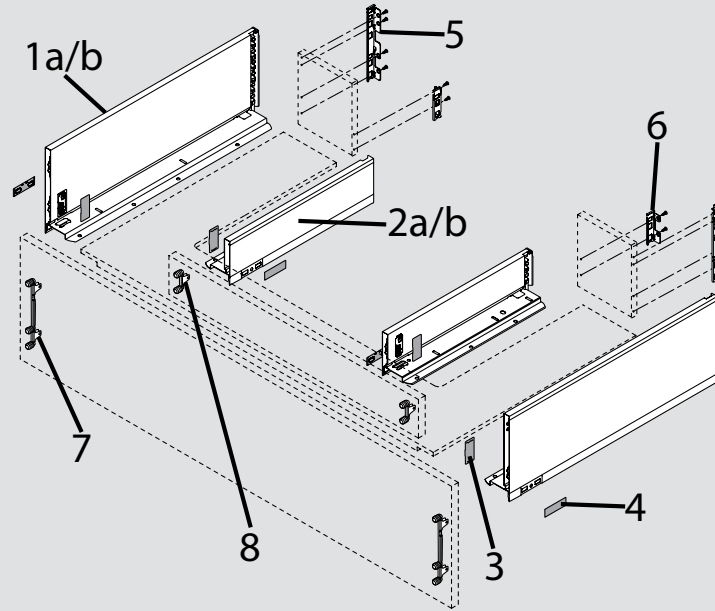
BLUMOTION / TIP-ON runners	Pages	6 - 7
AMBIA-LINE	Pages	26 - 27
Assembly devices	Pages	28 - 29
Technical information	Pages	30 - 42

“C” height sink pull-out

Product image



Component list



1a	“C” height pull-out side (L/R) - ORION GREY
1b	“C” height pull-out side (L/R) - STAINLESS STEEL
2a	“M” height sink drawer side (L/R) - ORION GREY
2b	“M” height sink drawer side (L/R) - STAINLESS STEEL
3	Symmetrical Blum internal cover cap
4	Symmetrical plain external cover cap
5	“C” height back fixing bracket for MFC back (L/R)
6	“M” height back fixing bracket for MFC back (L/R)
7	Symmetrical “C” height front fixing bracket
8	Symmetrical “M” height front fixing bracket

Order specification

1a	“C” height pull-out side (L/R) - ORION GREY			
	Nominal length NL	Format	ORION GREY (OG-M)	Order Multiple
	450 mm	L / R	770C4502S	6
	500 mm	L / R	770C5002S	6

1b	“C” height pull-out side (L/R) - STAINLESS STEEL			
	Nominal length NL	Format	STAINLESS STEEL (INGL)	Order Multiple
	450 mm	Set*	770C4502I	1
	500 mm	Set*	770C5002I	1

\*Supplied with Blum branded internal & external cover caps

2a	“M” height sink drawer side (L/R) - ORION GREY			
	To suit nominal length NL	Format	ORION GREY (OG-M)	Order Multiple
	450 mm	Set*	770M3002S	1
	500 mm	Set*	770M3502S	1

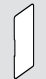
\*Supplied with Blum branded internal & external cover caps

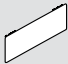



## "C" height sink pull-out

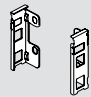
2b	"M" height sink drawer side (L/R) - STAINLESS STEEL			
	To suit nominal length NL	Format	STAINLESS STEEL (INGL)	Order Multiple
	450 mm	Set*	770M3002I	1
	500 mm	Set*	770M3502I	1


\*Supplied with Blum branded internal & external cover caps


3	Symmetrical Blum internal cover cap		
			Order Multiple
	ORION GREY (OG-M)	ZA7.5700.BT	1000
	STAINLESS STEEL (IN-G)	ZA7.5709.BT	1000

4	Symmetrical plain external cover cap		
			Order Multiple
	ORION GREY (OG-M)	ZA7.0700	1000
	STAINLESS STEEL (IN-G)	ZA7.0709	1000

5	"C" height back fixing bracket for MFC back (L/R)		
			Order Multiple
	ORION GREY (OG-M)	ZB7C000S	48
	STAINLESS STEEL (NI)	ZB7C000S	48

6	"M" height back fixing bracket for MFC back (L/R)		
			Order Multiple
	ORION GREY (OG-M)	ZB7M000S	48
	STAINLESS STEEL (NI)	ZB7M000S	48

7	Symmetrical "C" height front fixing bracket		
			Order Multiple
	Screw-on	ZF7C7002	100

8	Symmetrical "M" height front fixing bracket		
			Order Multiple
	Screw-on	ZF7M7002	100

## LEGRABOX pure



### Order example

#### Order example - "C" height pull-out only, runners not included

LEGRABOX pure "C" height sink pull-out in ORION GREY, 1000 mm wide, 500 mm nominal length, with MFC back fixing brackets and symmetrical front fixing brackets. (Note: order multiples apply to all orders)

Product image	Part number	Short description	Qty per pull-out
	770C5002S L OG-M	L/H 500 mm length "C" height pull-out side	1
	770C5002S R OG-M	R/H 500 mm length "C" height pull-out side	1
	770M3502S OG-M	L&R/H 350 mm length "M" height drawer sides	1
	ZA7.5700.BT OG-M	Symmetrical Blum internal cover cap	2
	ZA7.0700 OG-M	Symmetrical plain external cover cap	2
	ZB7C000S L OG-M	L/H "C" height MFC back fixing bracket	1
	ZB7C000S R OG-M	R/H "C" height MFC back fixing bracket	1
	ZB7M000S L OG-M	L/H "M" height MFC back fixing bracket	1
	ZB7M000S R OG-M	R/H "M" height MFC back fixing bracket	1
	ZF7C7002	Symmetrical "C" height front fixing bracket	2
	ZF7M7002	Symmetrical "M" height front fixing bracket	2

#### Additional information

BLUMOTION / TIP-ON runners	Pages	6 - 7
AMBIA-LINE	Pages	26 - 27
Assembly devices	Pages	28 - 29
Technical information	Pages	30 - 42

# LEGRABOX pure

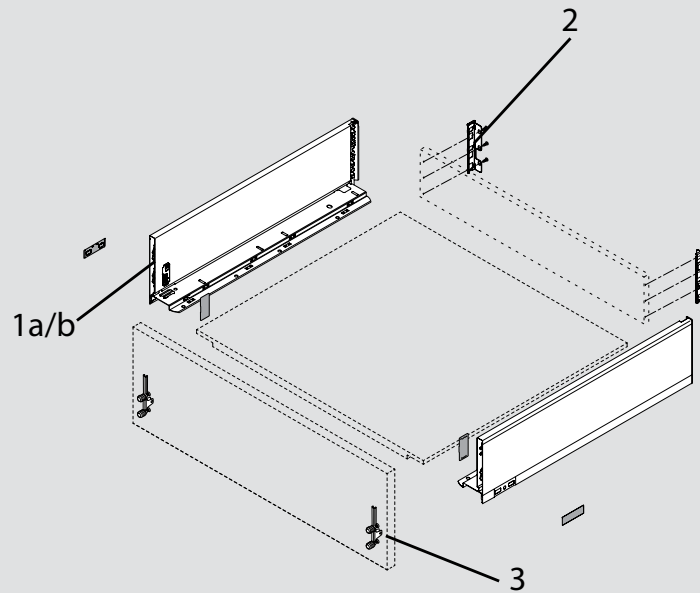


## "K" height drawer

Product image



Component list



- 1a "K" height drawer side (L/R) - ORION GREY
- 1b "K" height drawer side (L/R) - STAINLESS STEEL
- 2 "K" height back fixing bracket for MFC back (L/R)
- 3 Symmetrical "K" height front fixing bracket

### Order specification

1a	"K" height drawer side (L/R) - ORION GREY			
	Nominal length NL	Format	ORION GREY (OG-M)	Order Multiple
	450 mm	Set*	770K4502S	1
	500 mm	Set*	770K5002S	1

1b	"K" height drawer side (L/R) - STAINLESS STEEL			
	Nominal length NL	Format	STAINLESS STEEL (INGL)	Order Multiple
	450 mm	Set*	770K4502I	1
	500 mm	Set*	770K5002I	1

2	"K" height back fixing bracket for MFC back (L/R)		
			Order Multiple
	ORION GREY (OG-M)	ZB7K000S	25
	STAINLESS STEEL (NI)	ZB7K000S	25

3	Symmetrical "K" height front fixing bracket		
			Order Multiple
	Screw-on	ZF7K7002	100

\*Supplied with Blum branded internal & external cover caps

\*Supplied with Blum branded internal & external cover caps

## “K” height drawer

## LEGRABOX pure



### Product images



### Order example

#### Order example - “K” height drawer only, runners not included

LEGRABOX pure “K” height drawer in ORION GREY, 600 mm wide, 500 mm nominal length, with MFC back fixing brackets and symmetrical front fixing brackets. (Note: order multiples apply to all orders)

Product image	Part number	Short description	Qty per drawer
	770K5002S L&R OG-M	L&R/H 500 mm length “K” height drawer side	1
	ZB7K000S L OG-M	L/H “K” height MFC back fixing bracket	1
	ZB7K000S R OG-M	R/H “K” height MFC back fixing bracket	1
	ZF7K7002	Symmetrical “K” height front fixing bracket	2

#### Additional information

BLUMOTION / TIP-ON runners	Pages	6 - 7
AMBIA-LINE	Pages	26 - 27
Assembly devices	Pages	28 - 29
Technical information	Pages	30 - 42

# LEGRABOX pure

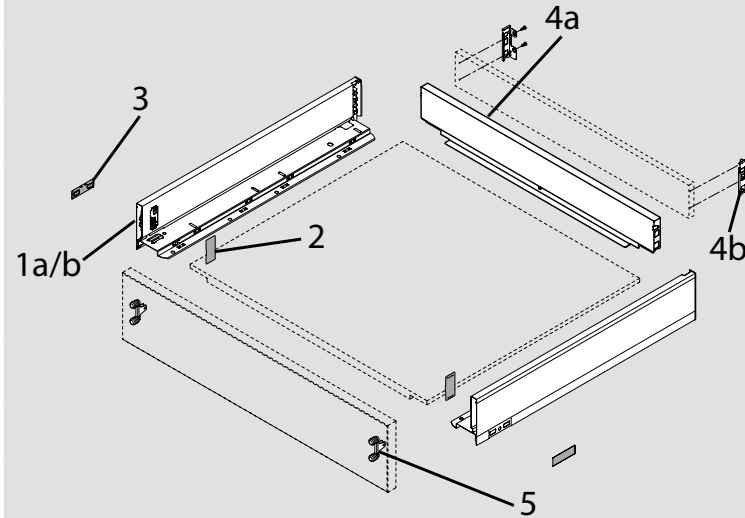


## "M" height drawer

### Product image



### Component list



1a	"M" height drawer side (L/R) - ORION GREY
1b	"M" height drawer side (L/R) - STAINLESS STEEL
2	Symmetrical Blum internal cover cap
3	Symmetrical plain external cover cap
4a	"M" height steel back (ORION GREY only)
4b	"M" height back fixing bracket for MFC back (L/R)
5	Symmetrical "M" height front fixing bracket

### Order specification

1a	"M" height drawer side (L/R) - ORION GREY			
	Nominal length NL	Format	ORION GREY (OG-M)	Order Multiple
	270 mm	L / R	770M2702S	12
	350 mm	Set*	770M3502S	1
	400 mm	Set*	770M4002S	1
	450 mm	L / R	770M4502S	12
	500 mm	L / R	770M5002S	12
	550 mm	Set*	770M5502S	1
	600 mm	Set*	770M6002S	1
	650 mm	Set*	770M6502S	1

\*Supplied with Blum branded internal & external cover caps

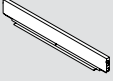
1b	"M" height drawer side (L/R) - STAINLESS STEEL			
	Nominal length NL	Format	STAINLESS STEEL (INGL)	Order Multiple
	270 mm	Set*	770M2702I	1
	350 mm	Set*	770M3502I	1
	400 mm	Set*	770M4002I	1
	450 mm	Set*	770M4502I	1
	500 mm	Set*	770M5002I	1
	550 mm	Set*	770M5502I	1
	600 mm	Set*	770M6002I	1
	650 mm	Set*	770M6502I	1

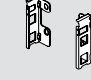
\*Supplied with Blum branded internal & external cover caps


2	Symmetrical Blum internal cover cap		
			Order Multiple
	ORION GREY (OG-M)	ZA7.5700.BT	1000
	STAINLESS STEEL (IN-G)	ZA7.5709.BT	1000

3	Symmetrical plain external cover cap		
			Order Multiple
	ORION GREY (OG-M)	ZA7.0700	1000
	STAINLESS STEEL (IN-G)	ZA7.0709	1000

## "M" height drawer

4a	"M" height steel back (ORION GREY only)		
	Nominal width (Based on 18 mm carcass)	ORION GREY (OG-M)	Order Multiple
	300 mm	ZB7M232S	24
	400 mm	ZB7M332S	12
	450 mm	ZB7M382S	12
	500 mm	ZB7M432S	12
	600 mm	ZB7M532S	12
	800 mm	ZB7M732S	12
	900 mm	ZB7M832S	12
	1000 mm	ZB7M932S	12
	1200 mm	ZB7M1132S	12

4b	"M" height back fixing bracket for MFC back (L/R)		
			Order Multiple
	ORION GREY (OG-M)	ZB7M000S	48
	STAINLESS STEEL (NI)	ZB7M000S	48

5	Symmetrical "M" height front fixing bracket		
			Order Multiple
	Screw-on	ZF7M7002	100

### Product images



## LEGRABOX pure



### Order example

#### Order example - "M" height drawer only, runners not included

LEGRABOX pure "M" height drawer in ORION GREY, 600 mm wide, 500 mm nominal length, with steel back and symmetrical front fixing brackets. (Note: order multiples apply to all orders)

Product image	Part number	Short description	Qty per drawer
	770M5002S L OG-M	L/H 500 mm length "M" height drawer side	1
	770M5002S R OG-M	R/H 500 mm length "M" height drawer side	1
	ZA7.5700.BT OG-M	Symmetrical Blum internal cover cap	2
	ZA7.0700 OG-M	Symmetrical plain external cover cap	2
	7B7M532S OG-M	600 mm wide "M" height steel back	1
	ZF7M7002	Symmetrical "M" height front fixing bracket	2

#### Additional information

BLUMOTION / TIP-ON runners	Pages	6 - 7
AMBIA-LINE	Pages	26 - 27
Assembly devices	Pages	28 - 29
Technical information	Pages	30 - 42

# LEGRABOX pure

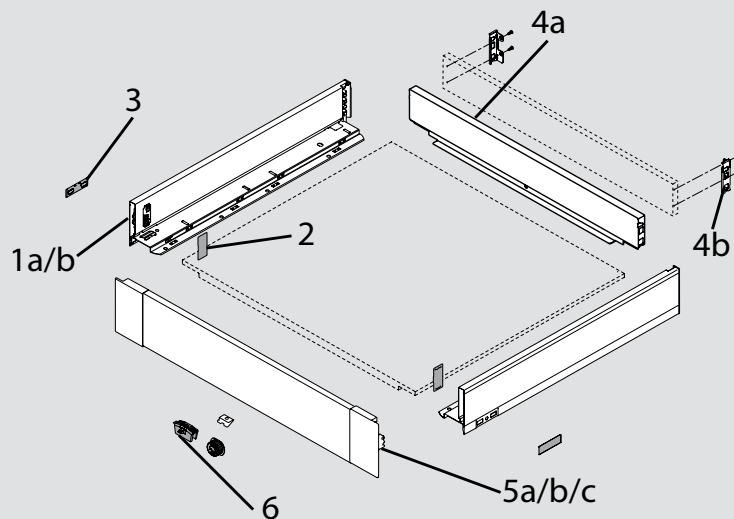


## "M" height internal drawer

Product image



Component list



1a	"M" height drawer side (L/R) - ORION GREY
1b	"M" height drawer side (L/R) - STAINLESS STEEL
2	Symmetrical Blum internal cover cap
3	Symmetrical plain external cover cap
4a	"M" height steel back (ORION GREY only)
4b	"M" height back fixing bracket for MFC back (L/R)
5a	"M" height internal drawer front (Pre-assembled)
5b	"M" height internal drawer front (Pre-assembled)
5c	"M" height internal drawer front (cut to size)
6	Latch set (Optional)

### Order specification

1a	"M" height drawer side (L/R) - ORION GREY			
	Nominal length NL	Format	ORION GREY (OG-M)	Order Multiple
	270 mm	L / R	770M270S	12
	350 mm	Set*	770M350S	1
	400 mm	Set*	770M400S	1
	450 mm	L / R	770M450S	12
	500 mm	L / R	770M500S	12
	550 mm	Set*	770M550S	1
	600 mm	Set*	770M600S	1
	650 mm	Set*	770M650S	1

\*Supplied with Blum branded internal & external cover caps

1b	"M" height drawer side (L/R) - STAINLESS STEEL			
	Nominal length NL	Format	STAINLESS STEEL (INGL)	Order Multiple
	270 mm	Set*	770M270I	1
	350 mm	Set*	770M350I	1
	400 mm	Set*	770M400I	1
	450 mm	Set*	770M450I	1
	500 mm	Set*	770M500I	1
	550 mm	Set*	770M550I	1
	600 mm	Set*	770M600I	1
	650 mm	Set*	770M650I	1

\*Supplied with Blum branded internal & external cover caps

2	Symmetrical Blum internal cover cap		
			Order Multiple
	ORION GREY (OG-M)	ZA7.5700.BT	1000
	STAINLESS STEEL (IN-G)	ZA7.5709.BT	1000

3	Symmetrical plain external cover cap		
			Order Multiple
	ORION GREY (OG-M)	ZA7.0700	1000
	STAINLESS STEEL (IN-G)	ZA7.0709	1000

## "M" height internal drawer

## LEGRABOX pure



4a	"M" height steel back (ORION GREY only)		
	Nominal width (Based on 18 mm carcase)	ORION GREY (OG-M)	Order Multiple
	300 mm	ZB7M232S	24
	400 mm	ZB7M332S	12
	450 mm	ZB7M382S	12
	500 mm	ZB7M432S	12
	600 mm	ZB7M532S	12
	800 mm	ZB7M732S	12
	900 mm	ZB7M832S	12
	1000 mm	ZB7M932S	12
	1200 mm	ZB7M1132S	12

5b	"M" height internal drawer front (Pre-assembled)		
	Nominal width (Based on 18 mm carcase)	STAINLESS STEEL (ELN2)	Order Multiple
	300 mm	ZW7.250M	12
	400 mm	ZW7.350M	6
	450 mm	ZW7.400M	6
	500 mm	ZW7.450M	6
	600 mm	ZW7.550M	6
	800 mm	ZW7.750M	6
	900 mm	ZW7.850M	6
		1000 mm	ZW7.950M
	1200 mm	ZW7.1150M	6

4b	"M" height back fixing bracket for MFC back (L/R)		
			Order Multiple
	ORION GREY (OG-M)	ZB7M000S	48
	STAINLESS STEEL (NI)	ZB7M000S	48

5c	"M" height internal drawer front (cut to size)		
			Order Multiple
	ORION GREY (OG-M)	ZI7.0MS0	1
	STAINLESS STEEL (INGL)	ZI7.0MI0	1
	ORION GREY (OG-M)	ZV7.1043C01	12
	STAINLESS STEEL (ELN2)	ZV7.1043C01	12

5a	"M" height internal drawer front (Pre-assembled)		
	Nominal width (Based on 18 mm carcase)	ORION GREY (OG-M)	Order Multiple
	300 mm	ZW7.250M	12
	400 mm	ZW7.350M	6
	450 mm	ZW7.400M	6
	500 mm	ZW7.450M	6
	600 mm	ZW7.550M	6
	800 mm	ZW7.750M	6
	900 mm	ZW7.850M	6
		1000 mm	ZW7.950M
	1200 mm	ZW7.1150M	6

6	Latch set (Optional)		
			Order Multiple
	ORION GREY (OG/G)	ZI7.0M07	1
	Note: +5 mm to space requirement		

### Order example

Order example - "M" height drawer only, runners not included			
Product image	Part number	Short description	Qty per drawer
	770M5002S L OG-M	L/H 500 mm length "M" height drawer side	1
	770M5002S R OG-M	R/H 500 mm length "M" height drawer side	1
	ZA7.5700.BT OG-M	Symmetrical Blum internal cover cap	2
	ZA7.0700 OG-M	Symmetrical plain external cover cap	2
	7B7M532S OG-M	600 mm wide "M" height steel back	1
	ZW7.550M OG-M	Pre-assembled internal drawer front	1
	ZI7.0M07 OG/G	Optional drawer front latch set	1

Additional information		
BLUMOTION / TIP-ON runners	Pages	6 - 7
AMBIA-LINE	Pages	26 - 27
Assembly devices	Pages	28 - 29
Technical information	Pages	30 - 42

# LEGRABOX pure



## "N" height drawer

Product image



Component list

1a	"N" height drawer side (L/R) - ORION GREY
1b	"N" height drawer side (L/R) - STAINLESS STEEL
2a	"N" height steel back (ORION GREY only)
2b	"N" height back fixing bracket for MFC back (L/R)
3	Symmetrical "N" height front fixing bracket

### Order specification

1a	"N" height drawer side (L/R) - ORION GREY			
	Nominal length NL	Format	ORION GREY (OG-M)	Order Multiple
	450 mm	Set*	770N4502S	1

\*Supplied with Blum branded internal & external cover caps

1b	"N" height drawer side (L/R) - STAINLESS STEEL			
	Nominal length NL	Format	STAINLESS STEEL (INGL)	Order Multiple
	450 mm	Set*	770N4502I	1

\*Supplied with Blum branded internal & external cover caps

2a	"N" height steel back (ORION GREY only)		
	Nominal width (Based on 18 mm carcasse)	ORION GREY (OG-M)	Order Multiple
	600 mm	ZB7N532S	36







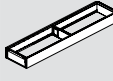
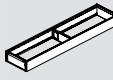
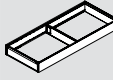
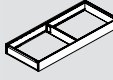


## AMBIA-LINE for LEGRABOX drawers

### Product image



### Order specification

Optional	300 mm wide to suit 450 mm NL cutlery insert		
	ORION GREY (OG-M)	ZC7S450BS3	Order Multiple 1
Optional	300 mm wide to suit 500 mm NL cutlery insert		
	ORION GREY (OG-M)	ZC7S500BS3	Order Multiple 1

Optional	NL extension adapter for cutlery insert		
	Adds 100 mm to 450 mm & 500 mm NL cutlery inserts		Order Multiple
	ORION GREY (OG-M)	ZC7S100AS3	1
Optional	100 mm wide to suit 450 mm NL utensil insert		
			Order Multiple
	ORION GREY (OG-M)	ZC7S450RS1	1
Optional	100 mm wide to suit 500 mm NL utensil insert		
			Order Multiple
	ORION GREY (OG-M)	ZC7S500RS1	1
Optional	200 mm wide to suit 450 mm NL utensil insert		
			Order Multiple
	ORION GREY (OG-M)	ZC7S450RS2	1
Optional	200 mm wide to suit 500 mm NL utensil insert		
			Order Multiple
	ORION GREY (OG-M)	ZC7S500RS2	1
Optional	Film & foil dispenser		
	Can be used with 200 mm wide utensil inserts		Order Multiple
	409 mm x 187 mm	ZC7C000	1
	Supplied with 1x 33 cm cling film and 1x 33 cm tin foil rolls		
Optional	Knife holder		
	Must be used with 200 mm wide utensil inserts		Order Multiple
	409 mm x 187 mm	ZC7M0200	1
	Can hold up to 9 knives which are not included		




## LEGRABOX pure



### Order example

#### Order example 1 - AMBIA-LINE only, drawers & runners not included

Utensil division & film, foil dispenser AMBIA-LINE for a LEGRABOX pure "M" height drawer in ORION GREY, 800 mm wide, 500 mm nominal length. (Note: order multiples apply to all orders)

Product image	Part number	Short description	Qty per drawer
	ZC7S500RS1 OG-M	100 mm wide 500 mm NL utensil insert	1
	ZC7S500RS2 OG-M	200 mm wide 500 mm NL utensil insert	2
	ZC7C000	Film & foil dispenser	1

#### Order example 2 - AMBIA-LINE only, drawers & runners not included

Cutlery division AMBIA-LINE for a LEGRABOX pure "M" height drawer in ORION GREY, 800 mm wide, 500 mm nominal length. (Note: order multiples apply to all orders)

Product image	Part number	Short description	Qty per drawer
	ZC7S500BS3 OG-M	300 mm wide 500 mm NL cutlery insert	2

#### Additional information

"K" height drawer	Pages	16 - 17
"M" height drawer	Pages	18 - 21
Assembly devices	Pages	28 - 29
Technical information	Pages	30 - 42

# LEGRABOX pure





## Assembly devices


### Product image





### Order specification


Optional	BOXFIX P		Order Multiple
	For efficient and simple assembly of LEGRABOX and TANDEMBOX. Includes 1x M01.ZZ03	ZMM.2750	1



Optional	BOXFIX E-L		Order Multiple
	For manual assembly of LEGRABOX. Includes 1x M01.ZZ03	ZMM.0700	1


Optional	Centering drill bit		Order Multiple
	For drilling centre positions for drawer profiles and back fixing brackets.	M01.ZZ03	1


Optional	Drilling template for LEGRABOX		Order Multiple
	For exact pre-drilling of the base and back.	ZML.7000	1


Optional	Base router		Order Multiple
	For easy and precise notching of the drawer / pull-out bases.	M35.7300	1


Optional	Base router additional cutter head for 17 - 19 mm MFC		Order Multiple
	For cutting extra notch which is required when using 17-19 mm thick MFC drawer bases / backs	M35.ZD19	1

Optional	Base router additional cutter carriage		Order Multiple
	For easy and precise notching of the drawer / pull-out bases.	M35.ZS00	1
	Milling head for additional cutter carriage	M35.ZFK1.02	1


Optional	Replacement blade kit for base router		Order Multiple
	Replacement blades and grub screws for the base router.	M35.ZW40	1


Optional	Replacement blade kit for additional cutter head		Order Multiple
	Replacement blades and grub screws for the base router.	M35.ZW20	1


Optional	Universal drilling template		Order Multiple
	The multifunctional frontal drilling template.	ZML.0040.01	1


Optional	Universal drilling template		Order Multiple
	The multifunctional drilling template for runners, lift systems and mounting plates.	65.1000.01	1

## Assembly devices

Optional	Hand held universal drilling template		
	The multifunctional drilling template for runners, lift systems and mounting plates.	65.1051.02	Order Multiple 1

Optional	Torx screwdriver		
	T20 Torx screwdriver	02090937	Order Multiple 1

Optional	Pan head screws		
	4x15 pan head screw	61D.1500	Order Multiple 100

Optional	Glass cutter set		
	For scoring and cutting glass design elements.	65.8000	Order Multiple 1

### Product images



## LEGRABOX pure



### Order example

#### Order example - assembly devices only, LEGRABOX not included

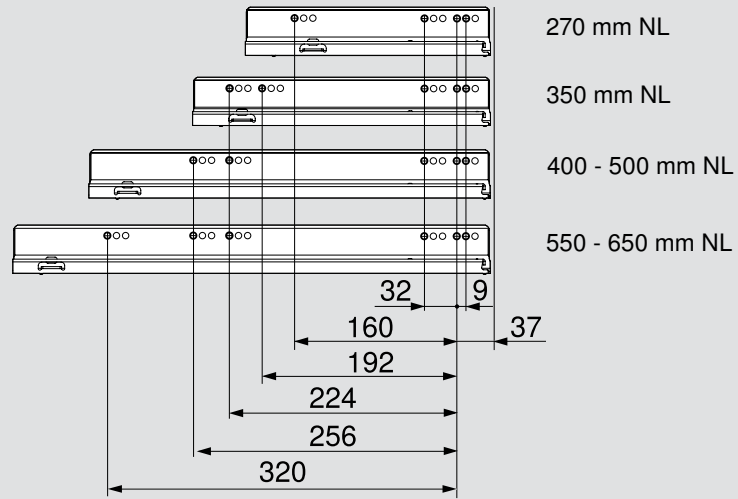
A typical order example of commonly used assembly devices for LEGRABOX pull-outs and drawers. (Note: order multiples apply to all orders)

Product image	Part number	Short description	Typical qty
	ZMM.0700	LEGRABOX assembly jig	1
	ZML.7000	LEGRABOX base and back drilling template	1
	M35.7300	LEGRABOX base router	1
	M35.ZS00	Additional carriage for base router	1
	M35.ZFK1.02	Milling head for base router	1
	M35.ZW40	Replacement blades for base router	1
	ZML.0040.01	Universal frontal drilling template	1
	65.1000.01	Universal cabinet drilling template	1
	02090937	Torx screwdriver	1
	61D.1500	Recommended screws for LEGRABOX	1000

#### Additional information

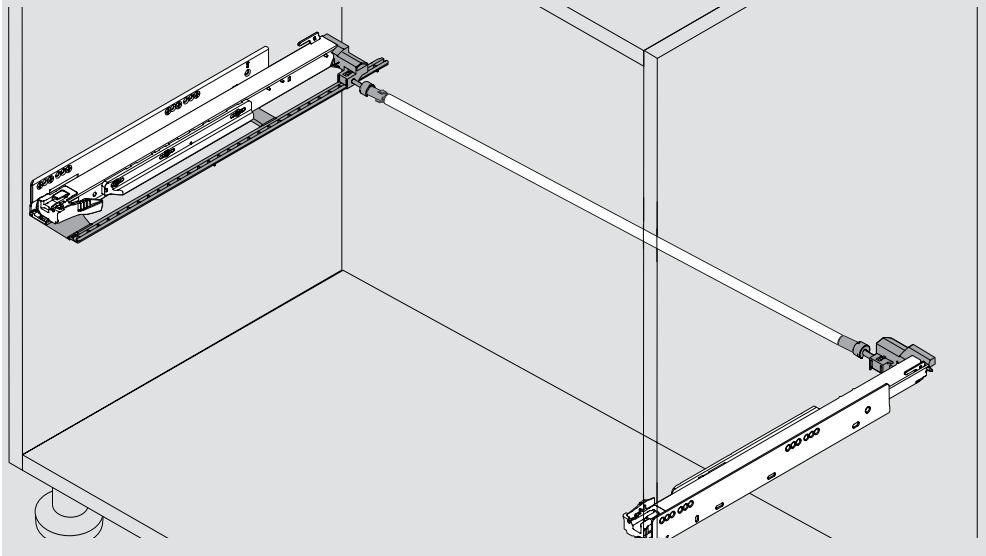
BLUMOTION / TIP-ON runners	Pages	6 - 7
AMBIA-LINE	Pages	26 - 27
Assembly devices	Pages	28 - 29
Technical information	Pages	30 - 42

BLUMOTION / TIP-ON drilling dimension

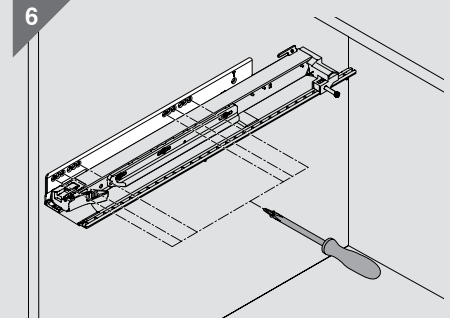
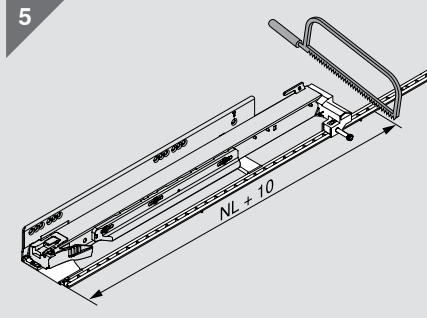
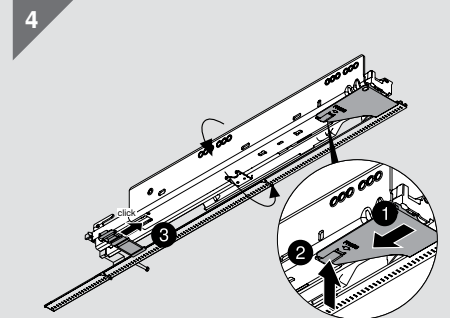
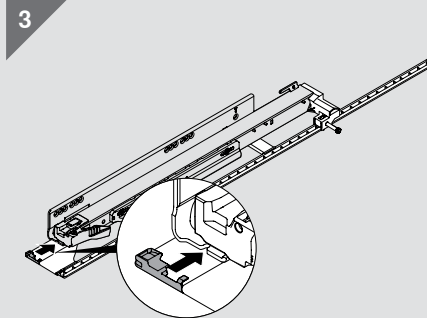
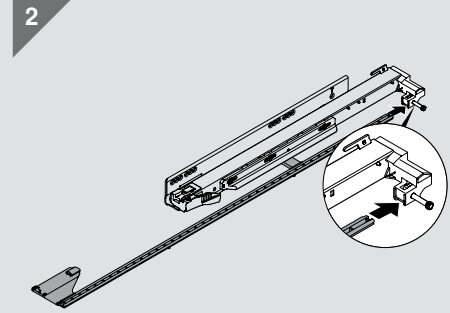
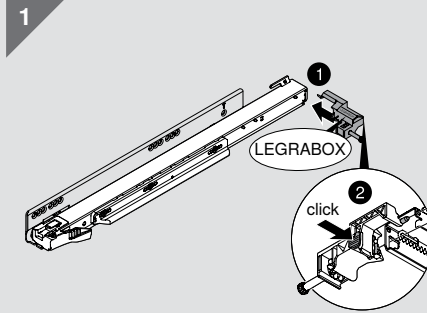


NL Nominal length

Side stabilisation installation guide

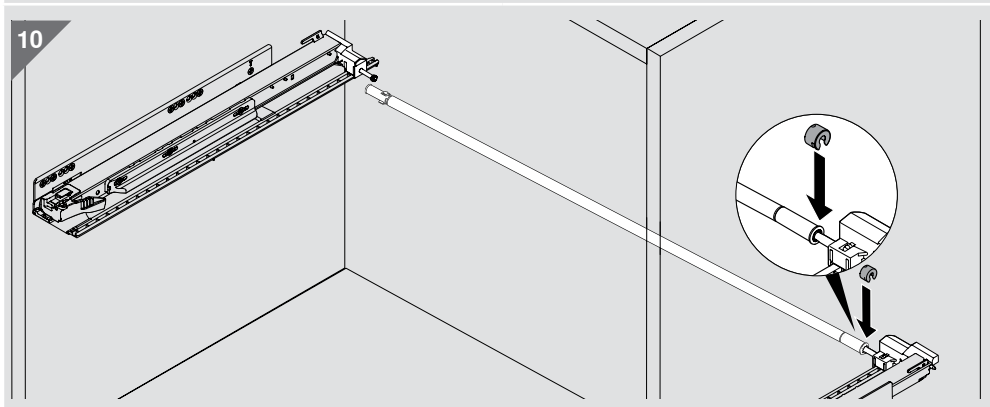
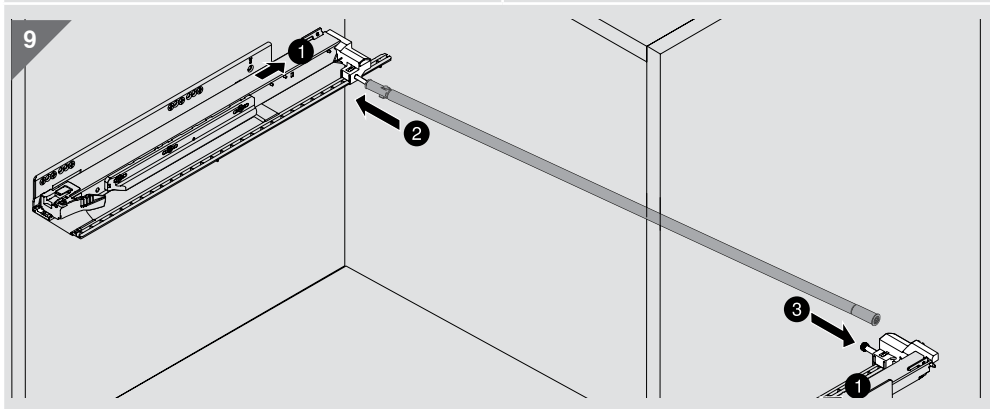
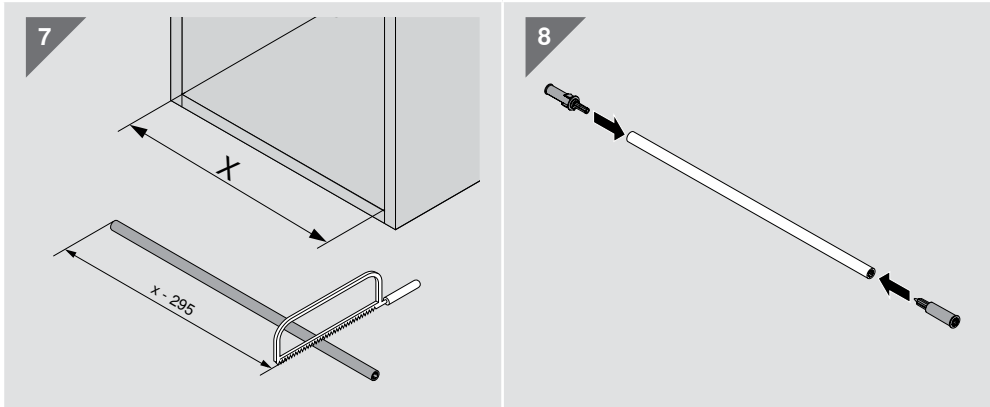


Side stabilisation installation guide

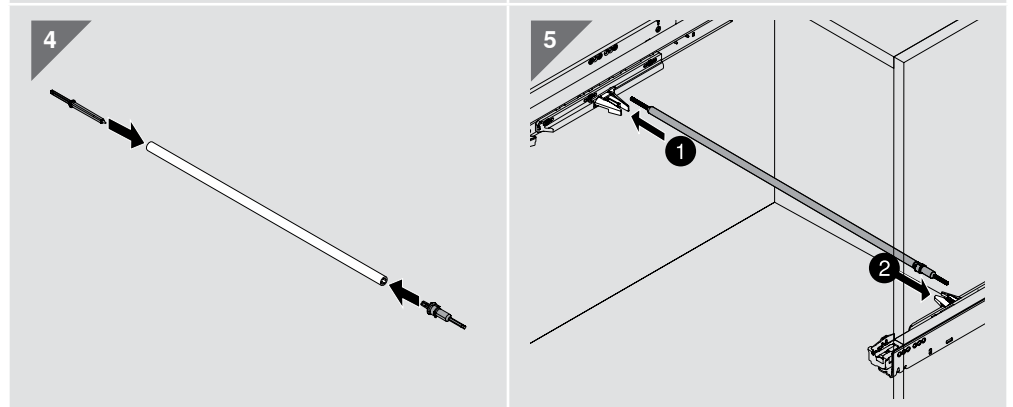
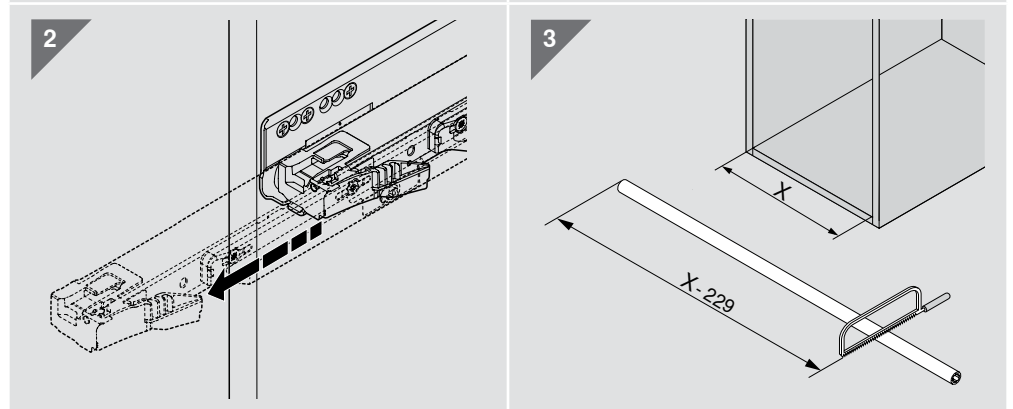
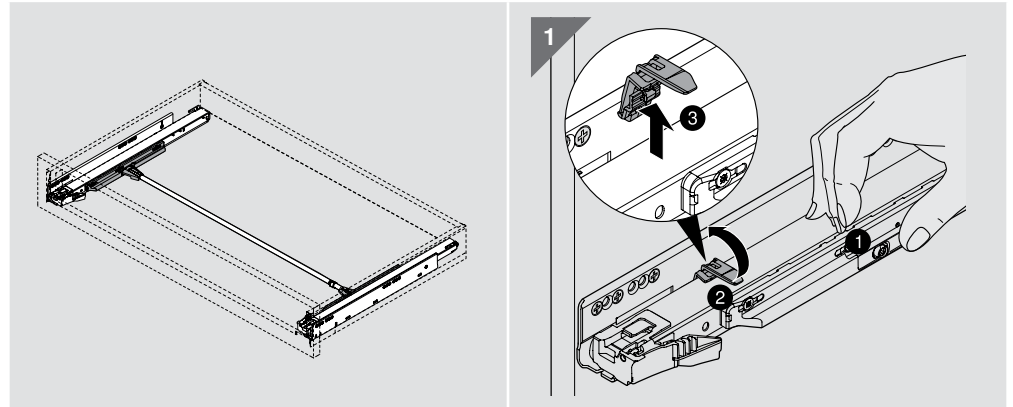


NL Nominal length

Side stabilisation installation guide



TIP-ON synchronisation installation guide



### Cutting dimension for pull-out / drawer base

**Base**  
 Chipboard back  
 NL - 10 mm  
 Steel back  
 NL - 21 mm

LW - 35 mm

16, 8, 38, 24, 128, 48.5

LW	Internal cabinet width
NL	Nominal length

### Cutting dimension for sink pull-out base

**Base**  
 Chipboard back  
 NL - 10 mm

SPW+20, LW - 35, Y, 138, 16, 8, 38, R10, 96, 128, 48.5, 128, 24

SPW	Internal cabinet width between drawer sides
LW	Internal cabinet width
NL	Nominal length

### Cutting dimension for pull-out / drawer MFC back

LW - 38 mm

"F" height pull-out	"C" height pull-out	"K" height drawer	"M" height drawer	"N" height drawer
212 mm	148 mm	101 mm	63 mm	39 mm
LW	Internal cabinet width			

### Cutting dimension for sink pull-out MFC back

Y - 3 mm

"C" height pull-out side

148 mm

### Cutting dimension for sink pull-out divider

SPW + 27 mm

Divider height

62.5 mm

SPW	Internal cabinet width between drawer sides
-----	---



Drilling dimension for pull-out / drawer front & divider

"F" height pull-out	"C" height pull-out	"K" height drawer	"M" height drawer	Sink pull-out divider	"N" height drawer
FA	Front overlay				

Cutting dimension for internal pull-out / drawer front

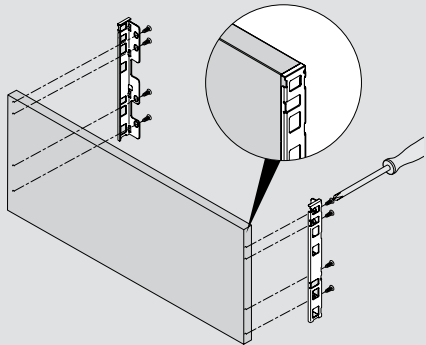
Cross gallery rail		Internal pull-out / drawer front section		Design element	
X (length)	LW - 90 mm	LW - 126 mm		Full height	Half height*
LW	Internal cabinet width			Y	138 mm
				X	70 mm
					LW - 80 mm
*Half height design element only possible using adapters supplied with ZI7.2CS0					

Pull-out / drawer space requirement

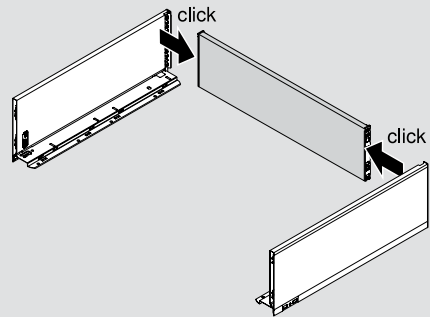
"F" height pull-out	"C" height pull-out	"K" height drawer	"M" height drawer	"N" height drawer
<p>*+5 mm if using latch set (ZI7.0M07) for internal drawer front.</p>				

Assembly guide

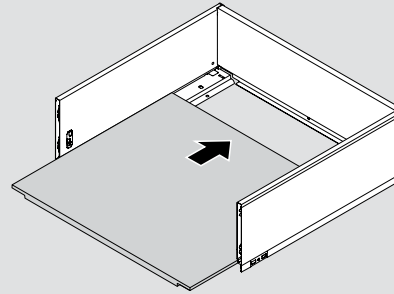
1



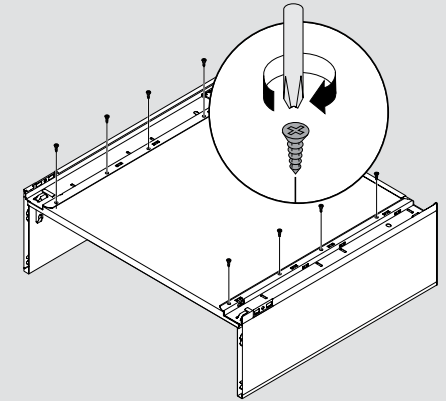
2



3



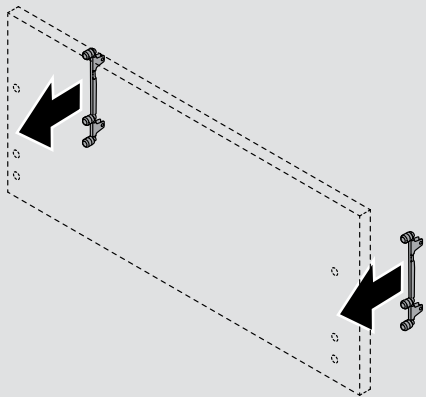
4



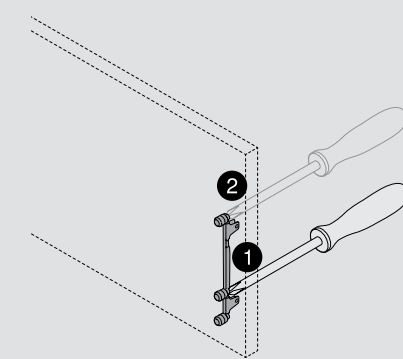
Ø 4 x 15 mm flat head screws

Ø 4 x 15 mm flat head screws

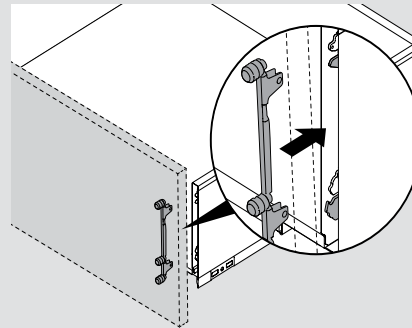
5



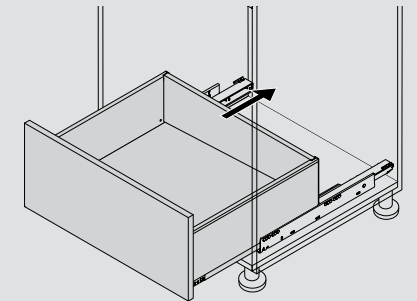
6



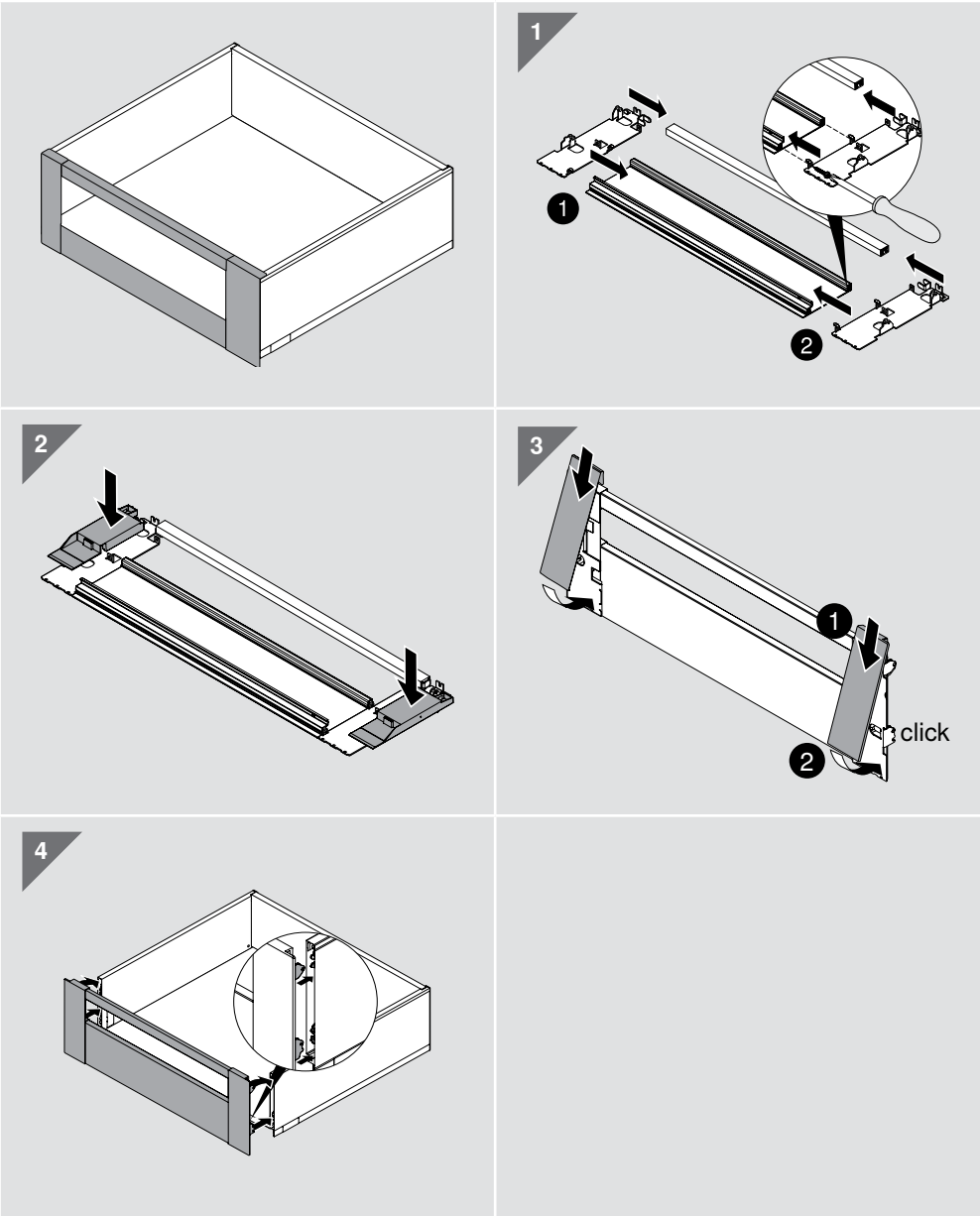
7



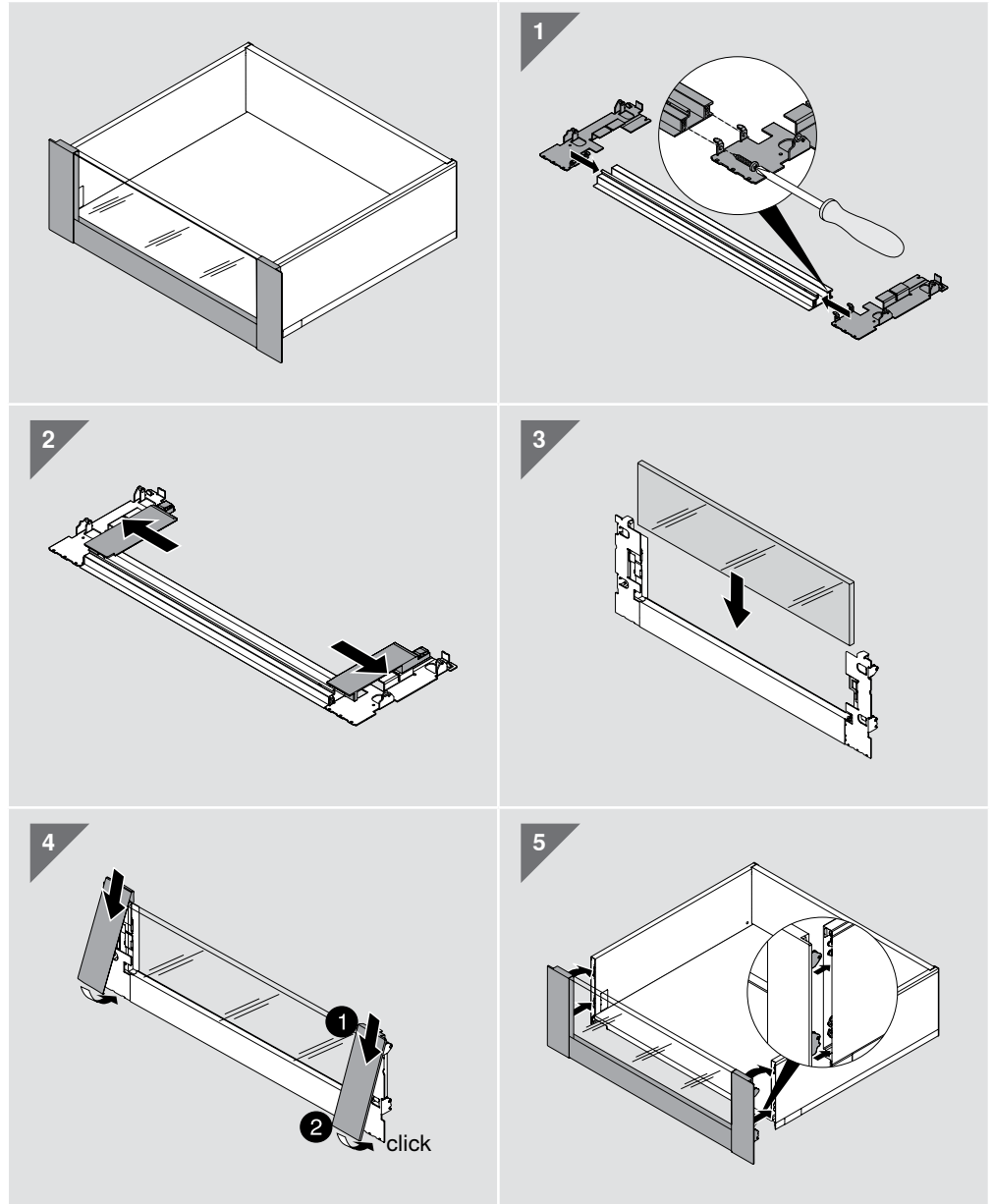
8



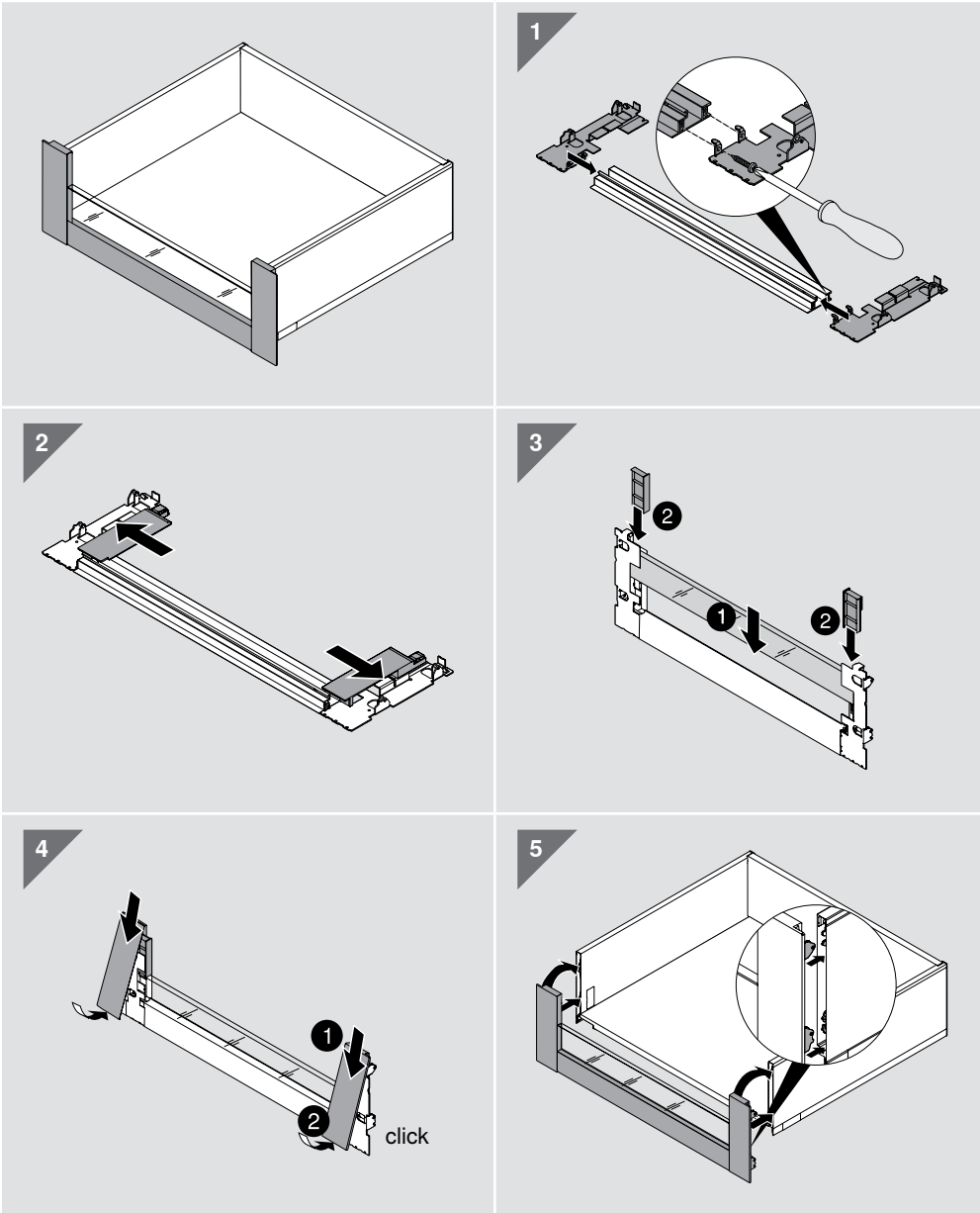
"C" height internal pull-out front with cross gallery frontal assembly guide



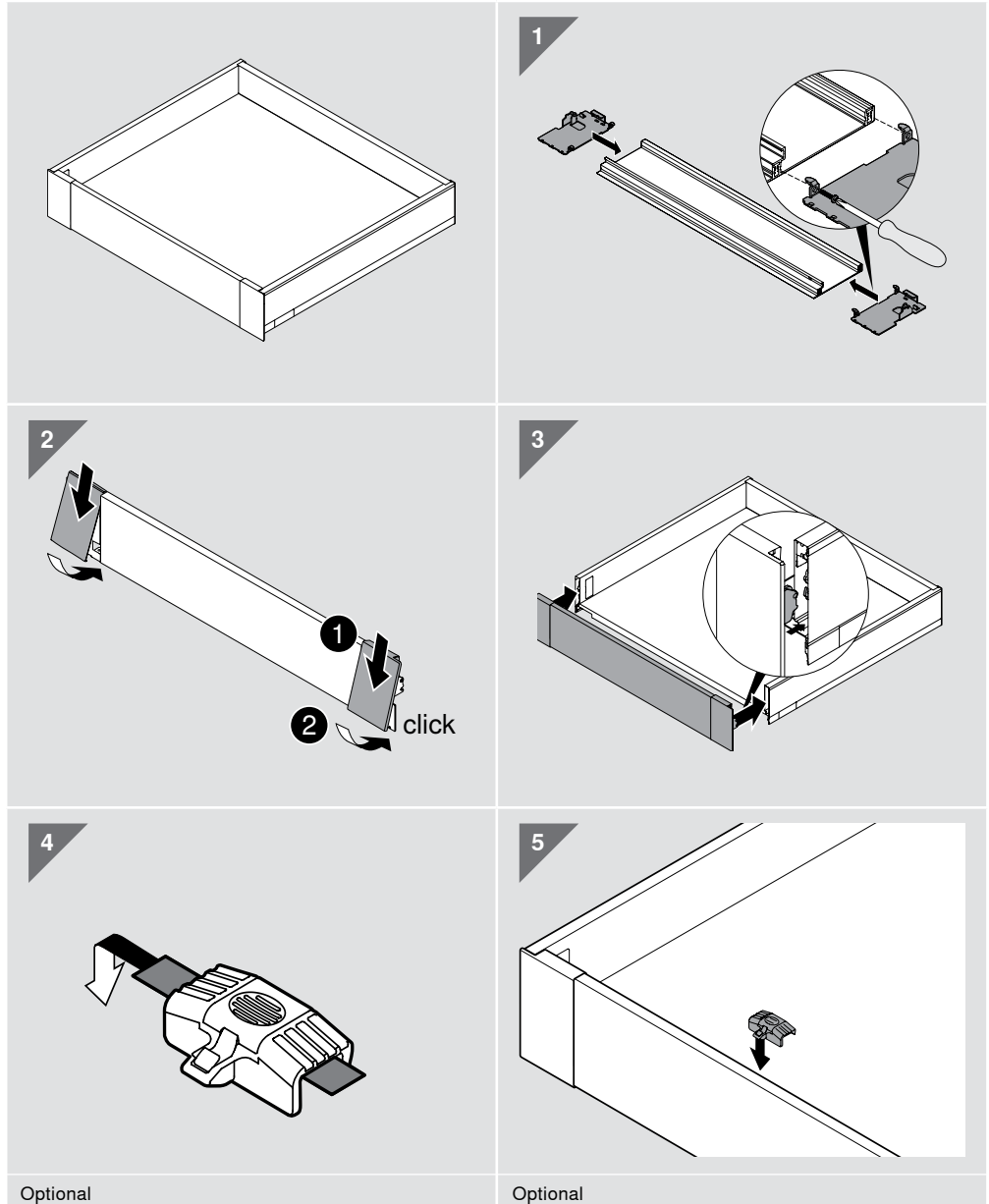
"C" height internal pull-out front with full height design element assembly guide



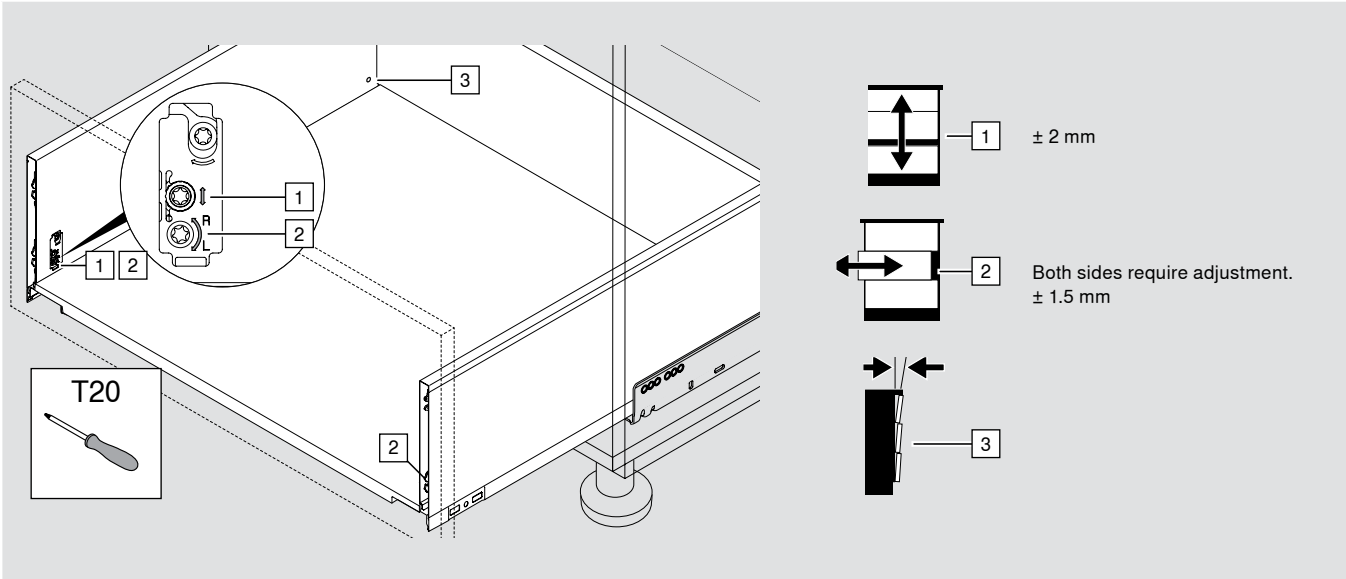
"C" height internal pull-out front with half height design element assembly guide



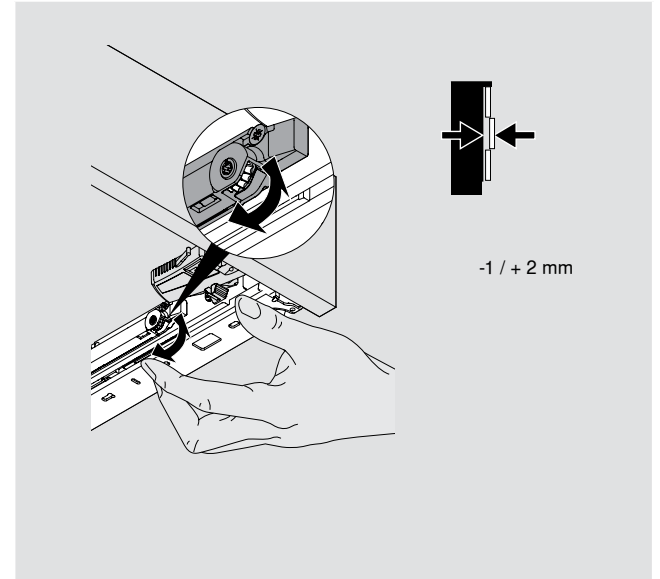
"M" height internal drawer front assembly guide



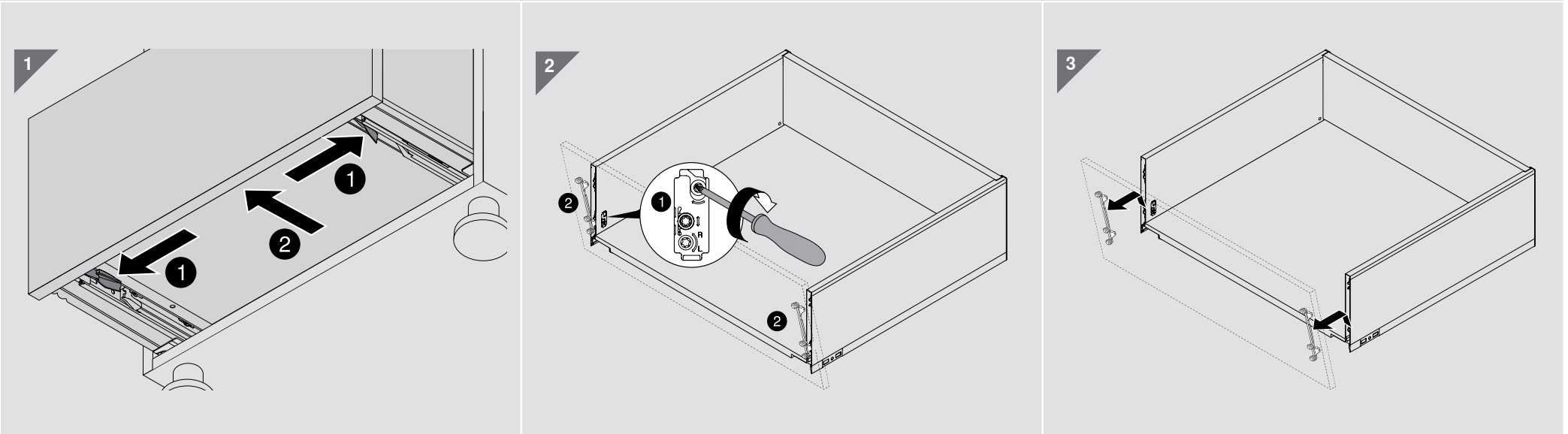
Adjustment guide



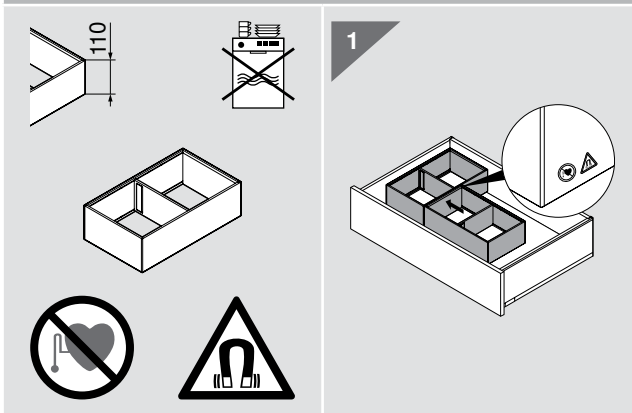
Depth adjustment guide for TIP-ON runner



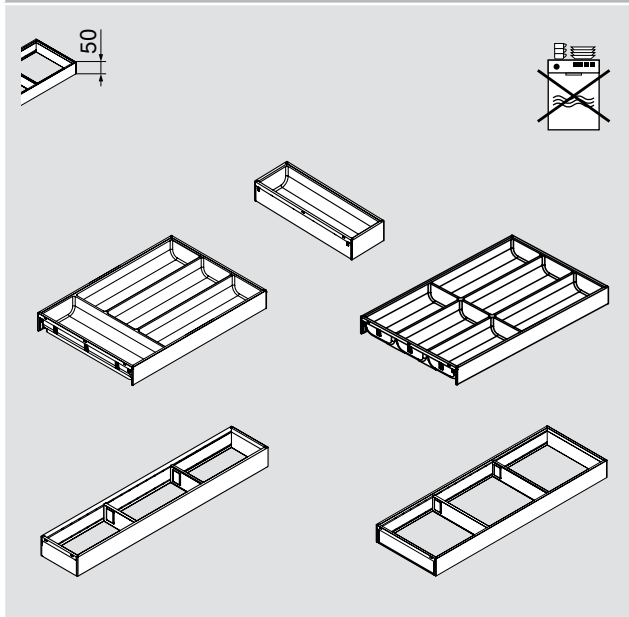
Removal guide



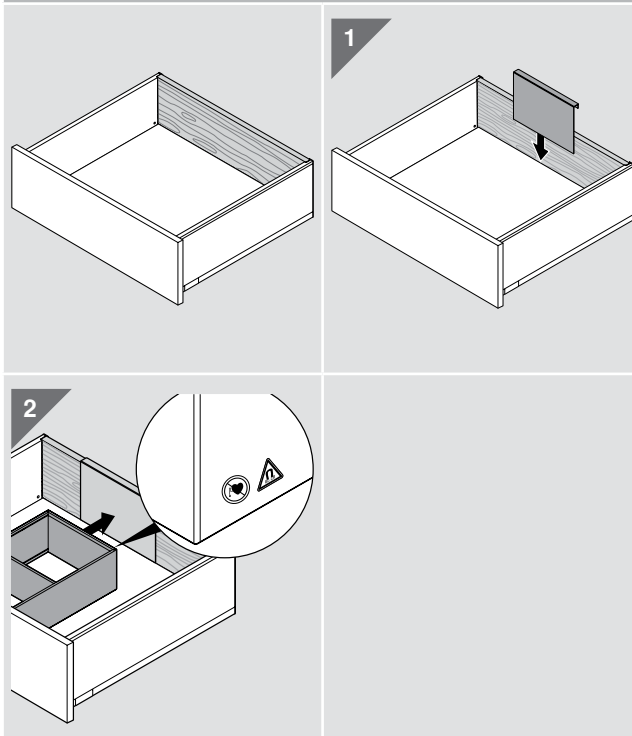
AMBIA-LINE steel frame dividers



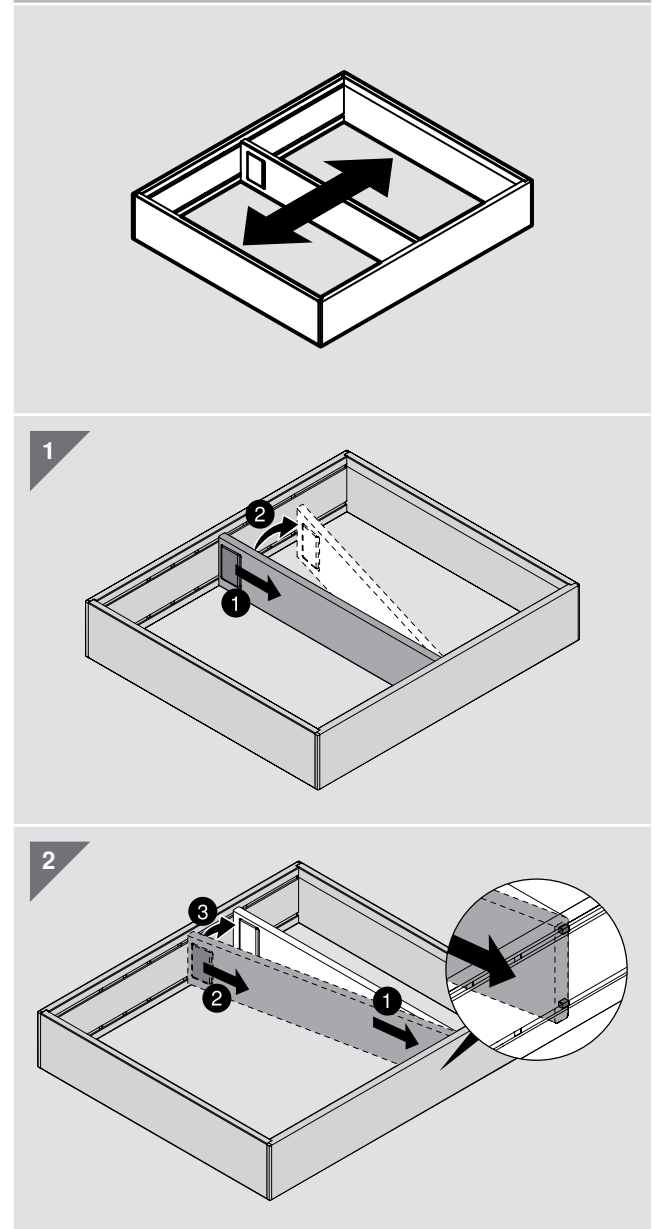
AMBIA-LINE cutlery / utensil dividers



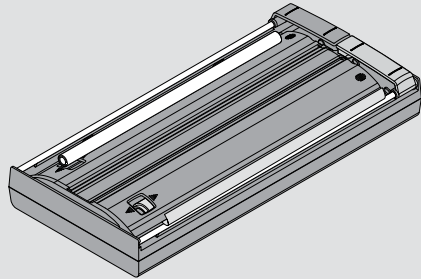
AMBIA-LINE steel frame dividers with MFC adapter



AMBIA-LINE steel frame and utensil divider adjustment

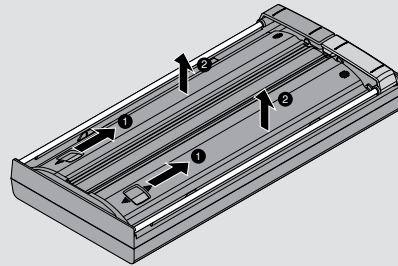


Film & foil dispenser assembly guide

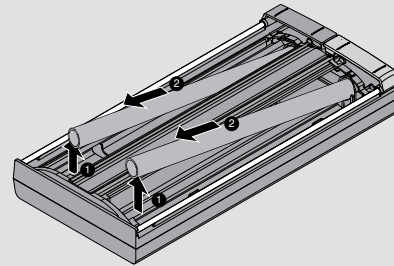


Can be used with 200 mm wide utensil inserts

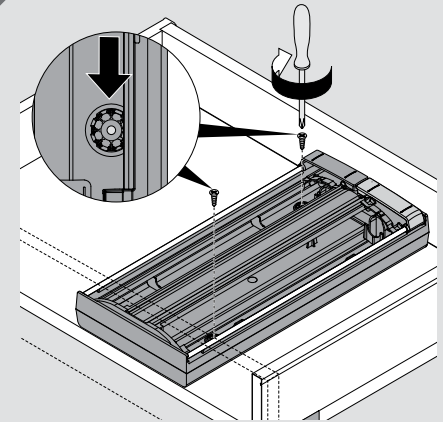
1



2

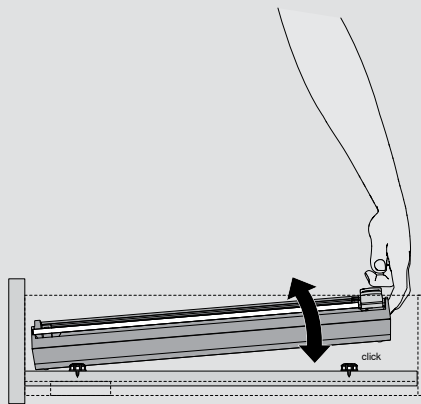


3

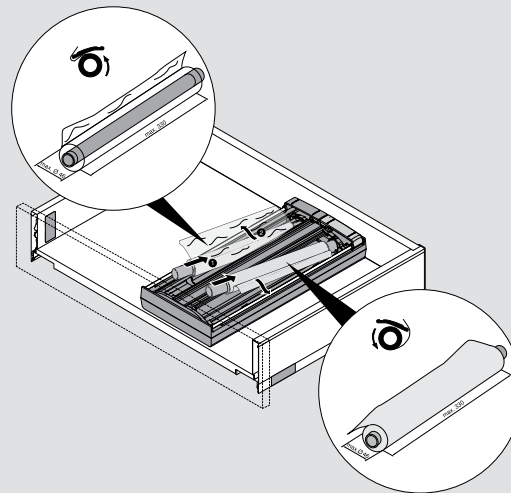


Ø 3.5 x 15 mm counter sunk screws

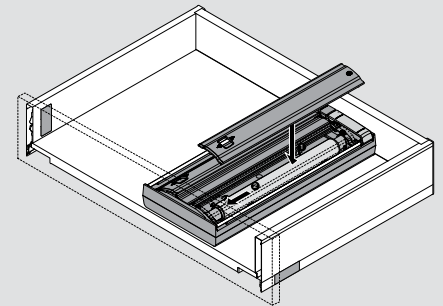
4



5



6

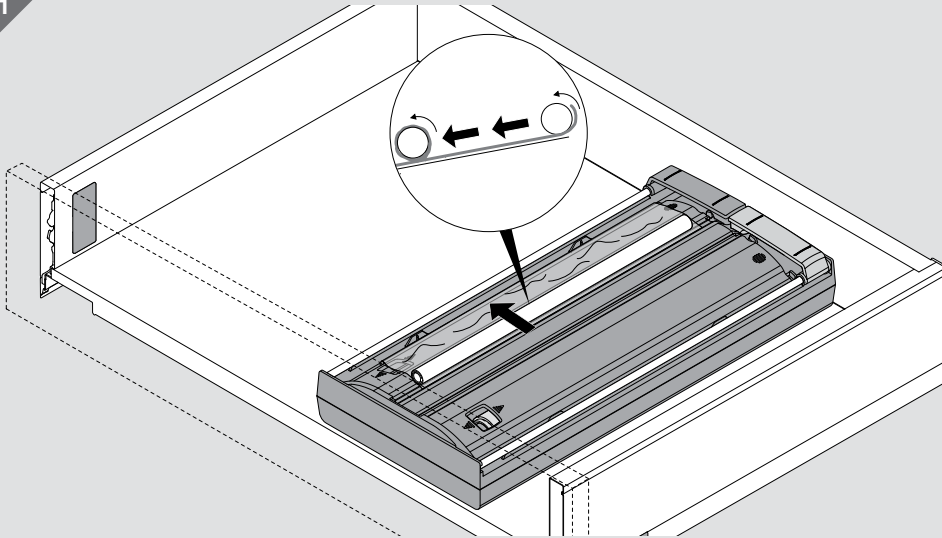


Max cling film and tin foil size Ø 46 mm x 330 mm length

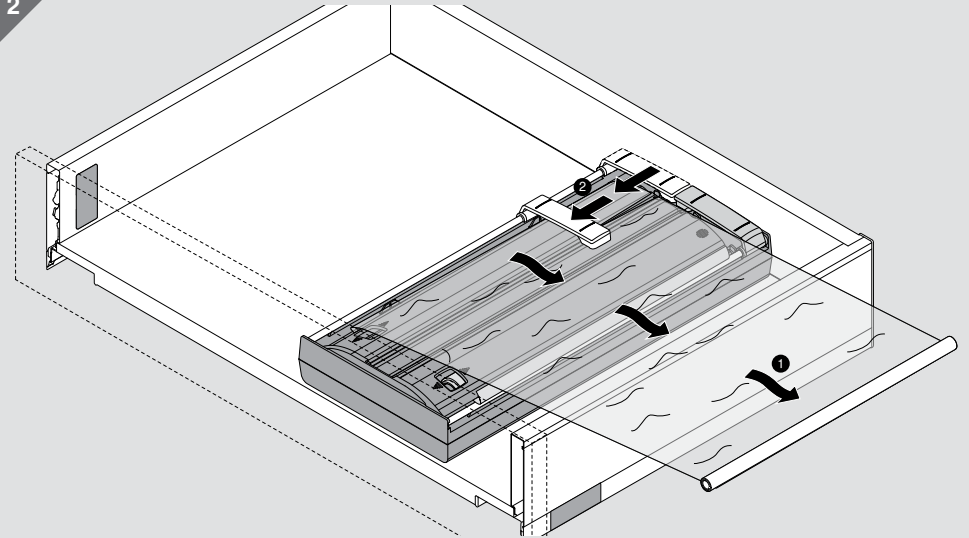


Film & foil dispenser usage guide

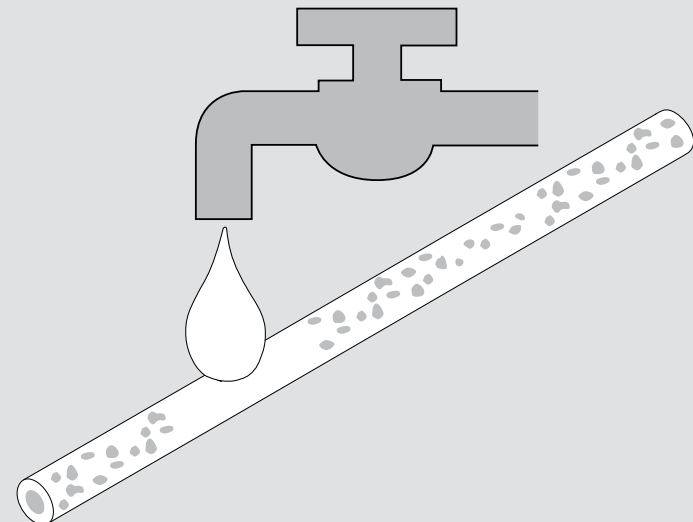
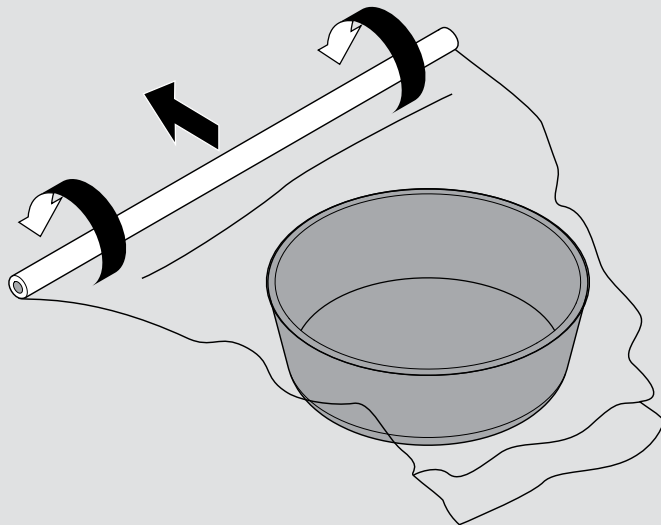
1



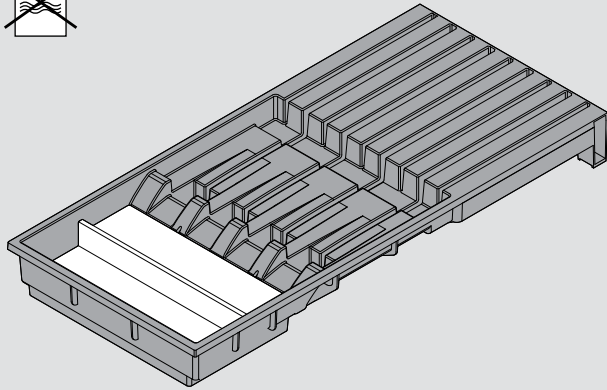
2



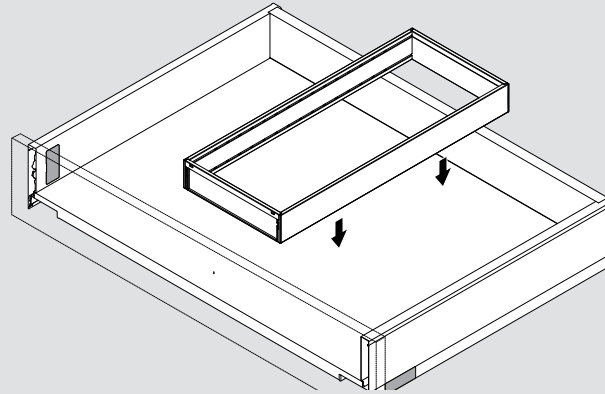
3



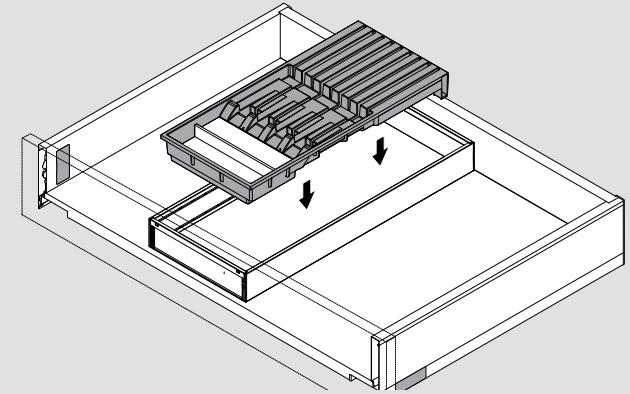
Knife holder assembly guide



1

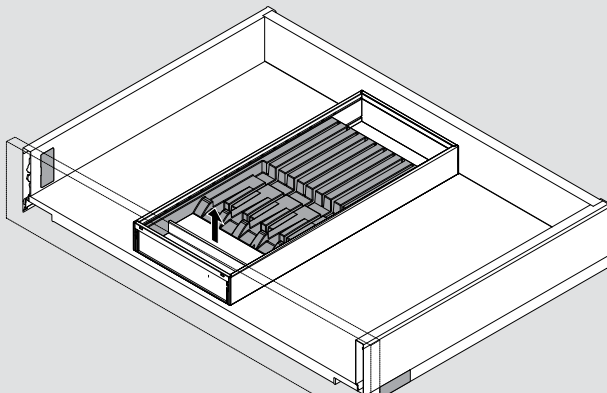


2

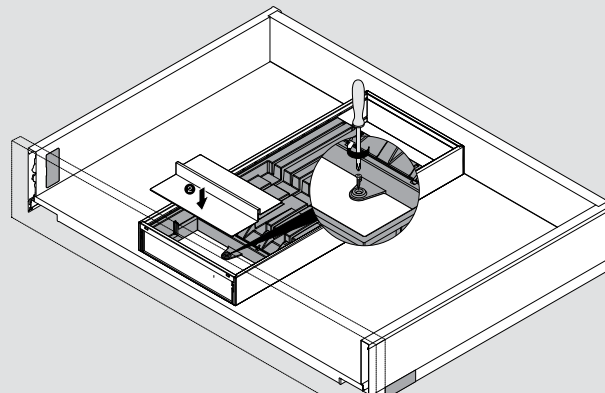


Must be used with 200 mm wide utensil inserts

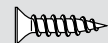
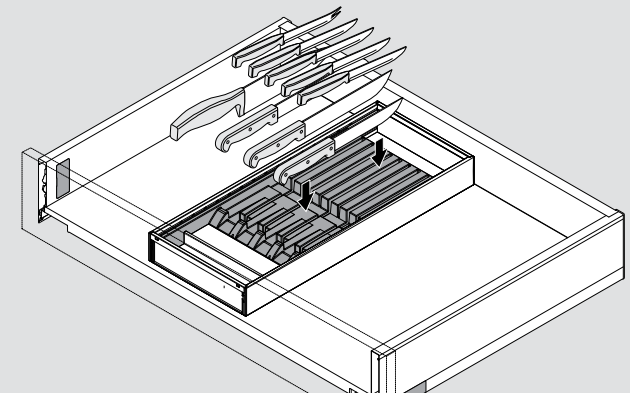
3



4



5



Ø 3.5 x 15 mm counter sunk screws

Blum in Austria and around the world



Blum operates 8 plants in Austria (Vorarlberg) as well as further production sites in Poland, the USA and Brazil and 27 subsidiaries/representative offices. The company supplies more than 100 markets. The Blum Group employs more than 6,515 people in total.

Quality



LEGRABOX is tested to over 100,000 opening cycles which means that we can guarantee the drawer for the lifetime of the furniture. In addition to this our comprehensive concept of quality at Blum applies not only to our products, but our services and cooperation with customers and partners will also meet the same demands.



Global customer benefits



"Whether manufacturer, distributor, fitter or kitchen user – everybody should personally enjoy the benefits of Blum products" – that is Blum's philosophy on global customer benefits.

Environment



At Blum, we believe that responsible ecological behaviour has long-term economic benefits. The longevity of products is just one important aspect of many. Further important measures include the use of environmentally friendly processes, intelligent use of materials and prudent energy management.



Innovations



Supporting customers with innovative fitting solutions and securing long-term success for the company requires consistent investment in research and development, in plants and facilities and in employee training. With more than 1,200 registered trade marks around the world, Blum is one of Austria's most innovative companies.

DYNAMIC SPACE



Good workflows, sufficient storage space and ease of use are important features of a practical kitchen. With its ideas for practical kitchens, Blum aims to bring function, convenience and ergonomics to the interior of furniture.



**Q** *Built for living.  
Guaranteed for a lifetime.*

For full terms and conditions please see [www.blum.com/lifetimeguarantee](http://www.blum.com/lifetimeguarantee)

Blum UK  
Mandeville Drive  
Kingston  
Milton Keynes  
Buckinghamshire  
MK10 0AW  
Tel.: 01908 285700  
Email: [info.uk@blum.com](mailto:info.uk@blum.com)  
Twitter: @blumuk

Julius Blum GmbH  
Furniture Fittings Mfg.  
6973 Höchst  
Austria  
Tel.: +43 5578 705-0  
Fax: +43 5578 705-44  
E-mail: [info@blum.com](mailto:info@blum.com)  
[www.blum.com](http://www.blum.com)

 **blum**®