

EXPANDO T

Thin fronts,
easily assembled

8 mm





Rediscover simplicity

Minimalist design creates room for inspiration. Broaden the range of your possibilities for implementing trends in furniture manufacturing. The first fixing system for thin fronts for lift systems, doors and pull-outs makes minimalist furniture design simple.



Detailed information
on the awards:
www.blum.com/award

Easily implemented: three applications

To make it as easy as possible for you we have developed a fixing system that you can use to implement a total of three applications: lift systems, doors and pull-outs. Furniture impresses with thin fronts and proven Blum functionality – in all living areas.

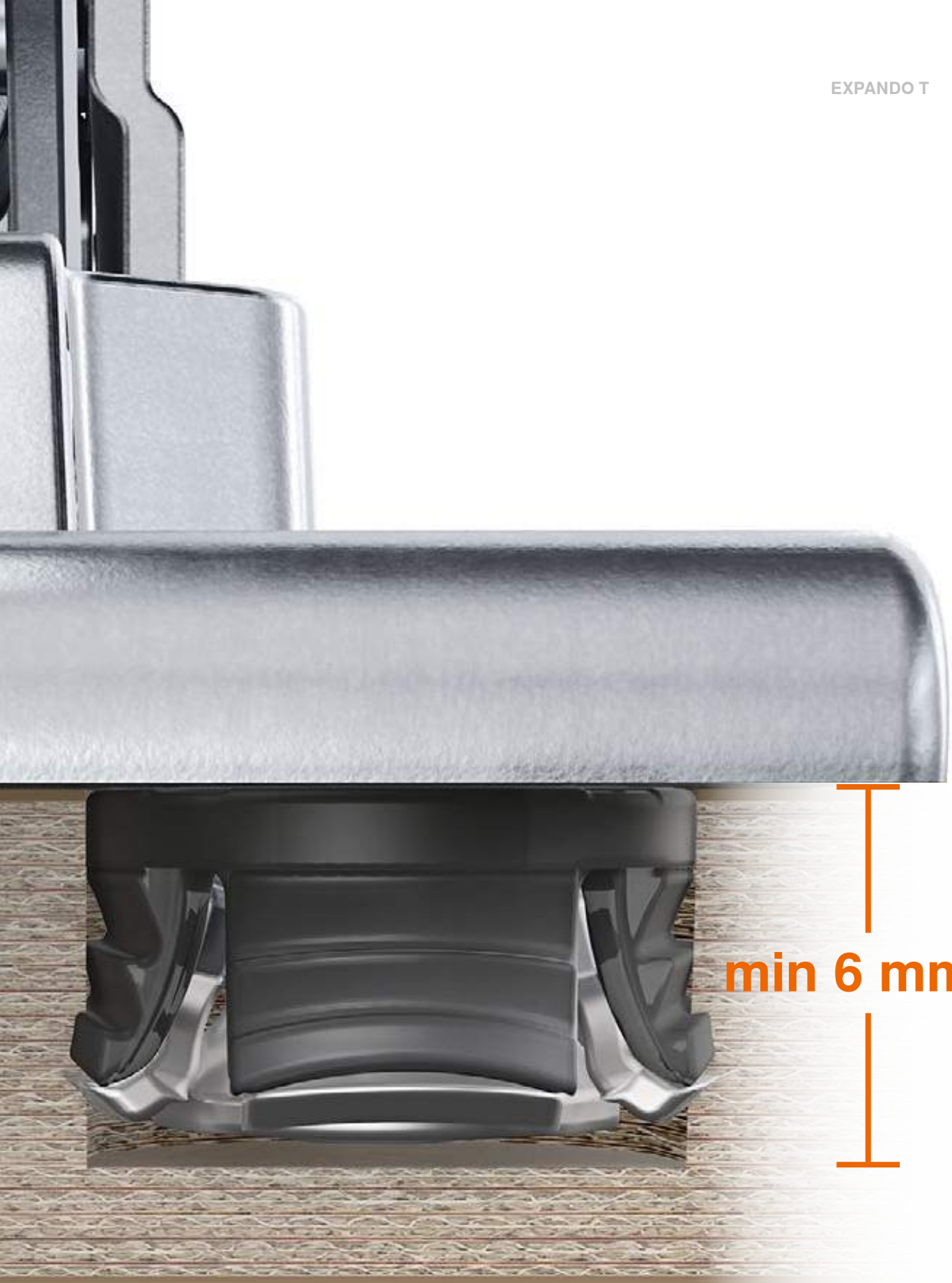






An easily assembled system

Our fixing system for thin fronts is based on EXPANDO T. Steel teeth bite into the material of hard fronts, and nylon components ensure firm anchorage in soft panels. To fix EXPANDO T, drill a hole of 10 mm in diameter and just 6 mm in depth.




min 6 mm

Assembly made easy


Wall cabinets, doors and pull-outs equipped with EXPANDO T for thin fronts all have one thing in common, they are easy to assemble and adjust. Drill, insert and tighten screws. That's it. EXPANDO T is also available as a single dowel for other applications.



With the fixing mechanism for CLIP top BLUMOTION for thin doors, we have succeeded in integrating the BLUMOTION functionality into hinges – without any need for a hinge boss. Thanks to zero protrusion, this hinge is also suitable for cabinets with inner pull-outs or pull-out shelves.



Chosen lift system types – AVENTOS HS, HL and HK top – can be implemented with the fixing system for thin fronts – with an unchanged fixing position.

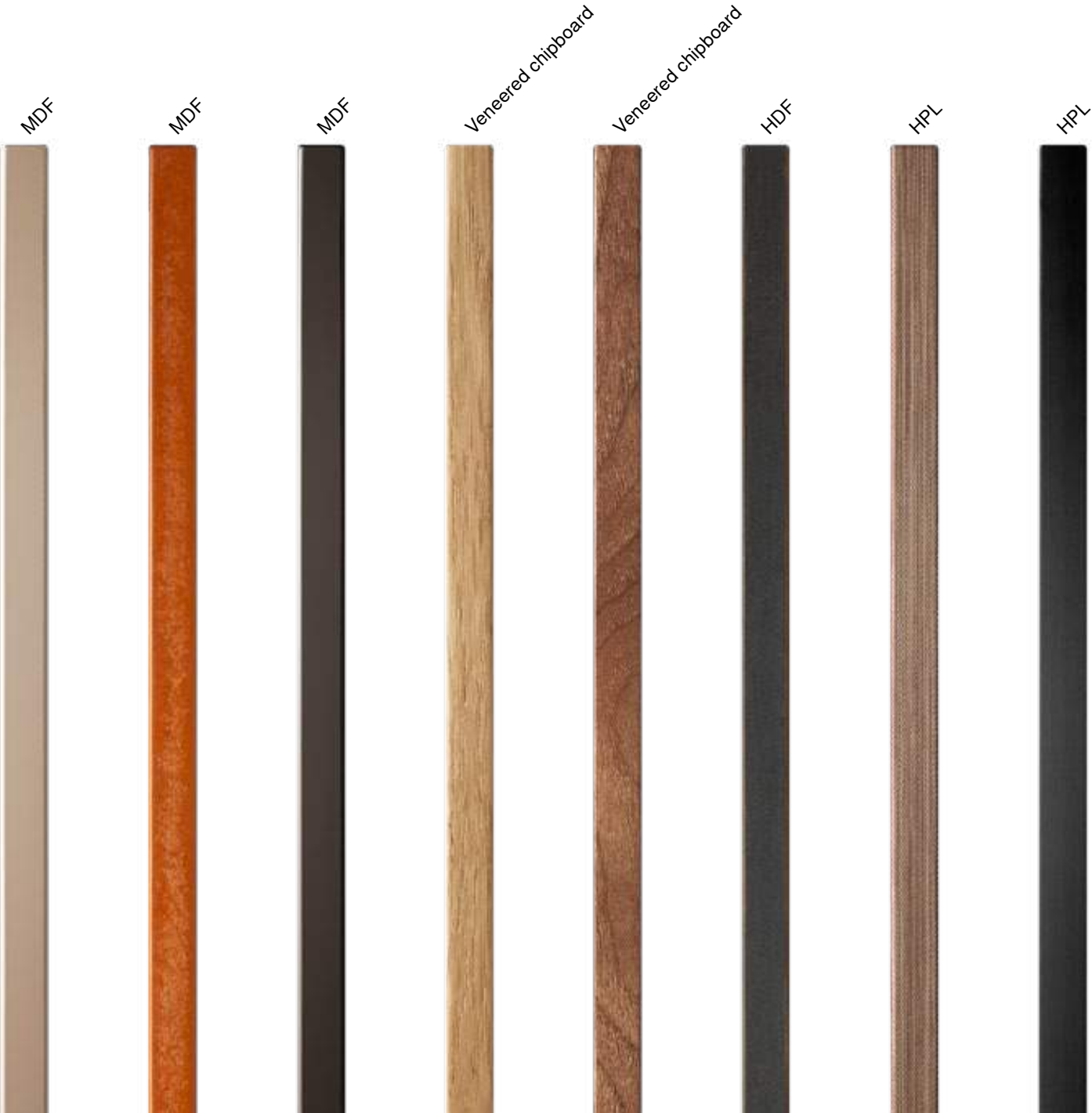


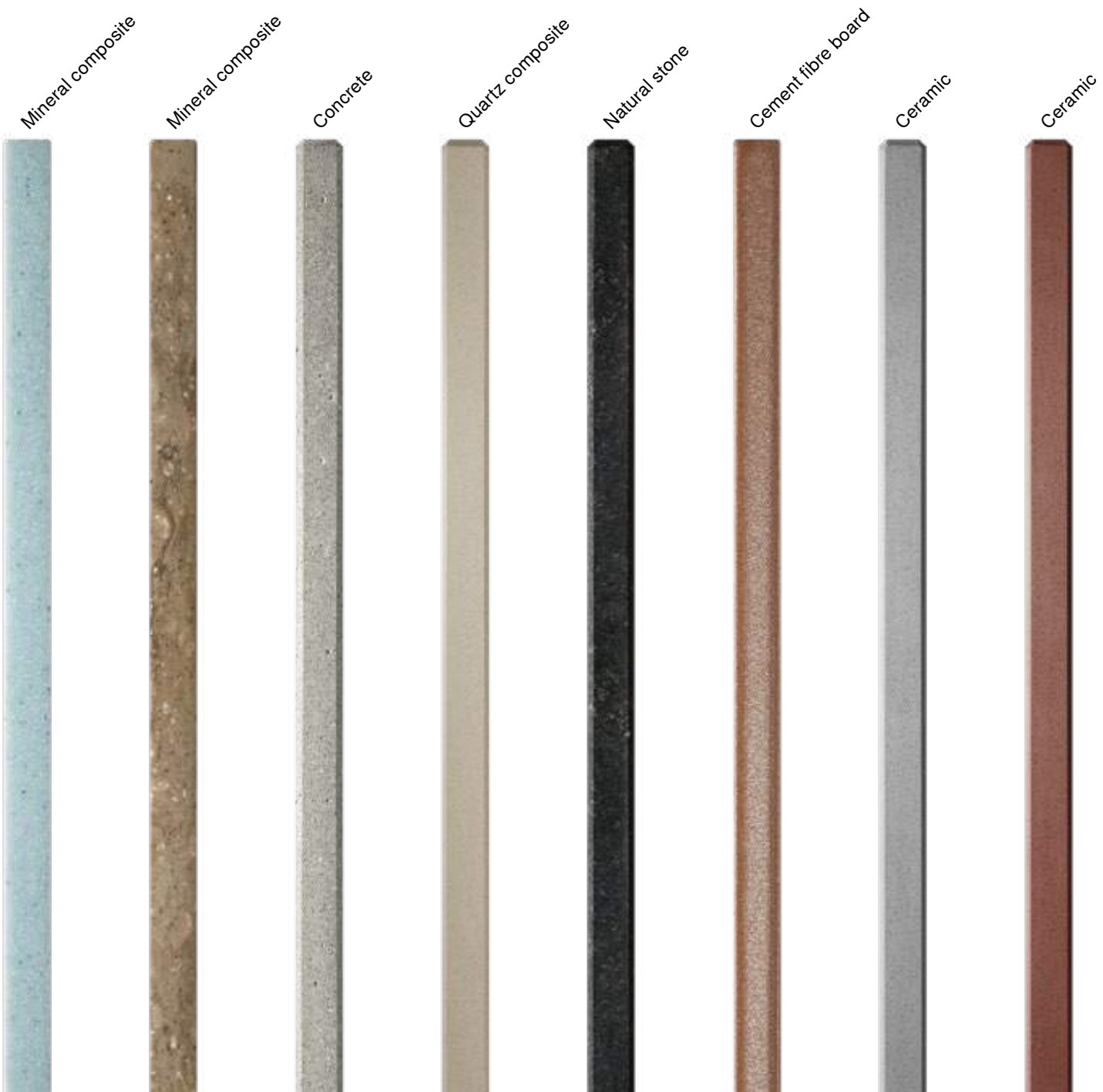
Thin fronts best bring out the slimline design of LEGRABOX and MERIVOBX drawers. Fixing positions remain the same so fronts can be assembled in next to no time.



Easily combined materials

Our fixing system EXPANDO T for thin fronts from 8 mm is suitable for many materials and even allows for exceptional design ideas. Surprise your customers with customised furniture.











blum

HDF







Veneered chipboard

MDF











HPL







Ceramic











Ceramic







MDF



EXPANDO T





Trim and concise range

A single fixing system for three applications with thin fronts makes product selection and ordering significantly easier. Implement different lift system types, LEGRABOX and MERIVOBX pull-outs in different heights as well as conventional door applications – with few components.


Advantages at a glance

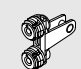
- 3 different applications – lift systems | hinge systems | box systems
- Thin fronts of 8 mm or more
- EXPANDO T – pre-assembled fixing system
- Different front materials
- Use the online Product Configurator – which calculates all dimensions for your planning in the drawings

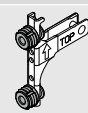


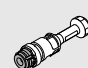
Ordering information


Wall cabinet fronts			
AVENTOS HS HL HK top			
Front fixing bracket			
	Version	Material	
	Symmetrical	Steel	ZF4.10T2
Fixing positions according to the Blum catalogue			

Hinge systems				
CLIP top BLUMOTION CLIP top				
Hinge for thin doors				
	Hinge	Spring	Colour	
	CLIP top BLUMOTION	●	NI ONS	71B453T
	CLIP top	●	NI	71T453T
	CLIP top	○	NI	70T453T.TL
The different overlay applications can be achieved with the appropriate fixing positions				
<ul style="list-style-type: none"> ● With spring ○ Unsprung 				

Box systems		
LEGRABOX		
Front fixing bracket		
	Height	
	N	ZF7N70T2
	M	ZF7M70T2
	K	ZF7K70T2
	C	ZF7C70T2
Height F and fixing positions according to the Blum catalogue		

Box systems		
MERIVOBX		
Front fixing bracket		
	Fixing method	
	EXPANDO T	ZF4.10T2
Fixing positions according to the Blum catalogue		

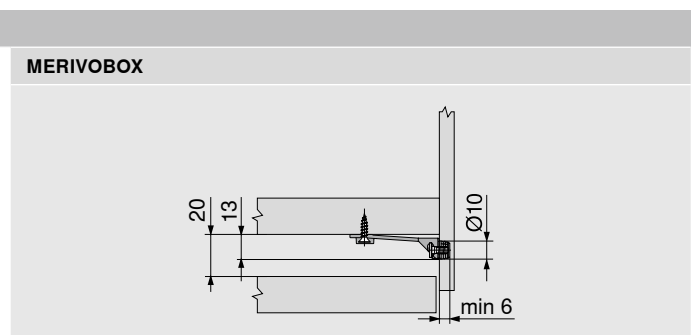
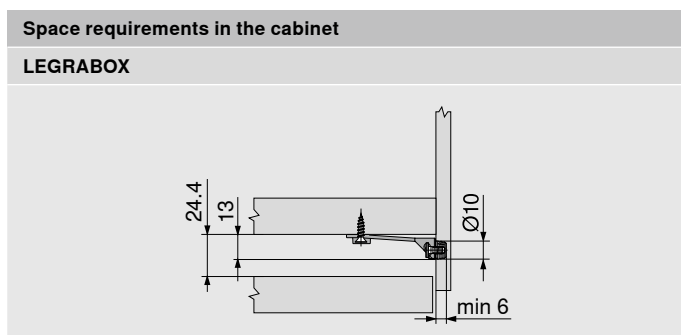
MERIVOBX		
Front fixing bracket, top		
	Fixing method	
	EXPANDO T	ZF4.50T2
Fixing positions according to the Blum catalogue		

Box systems			
LEGRABOX MERIVOBX			
Front/base stabiliser for thin fronts			
	Colour	Material	
	R7037	Nylon	Z96.00T1
Fixing positions according to the Blum catalogue			
Recommendation:			
Cabinet width (KB) > 600 mm: 1 pc			
Cabinet width (KB) > 900 mm: 2 pc			
Front height (FH) > 380 mm: 1 pc			

Further products			
EXPANDO T – single			
	Colour	Material	
	TGR	Nylon/steel	70T4532T

Colour			
NI	Nickel plated	TGR	Dark grey
ONS	Onyx black	R7037	RAL 7037 dust grey

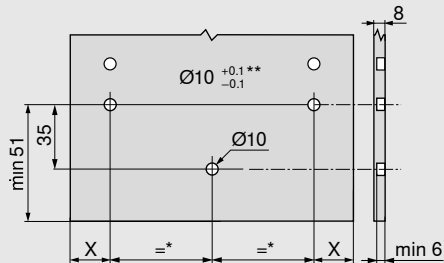
Planning



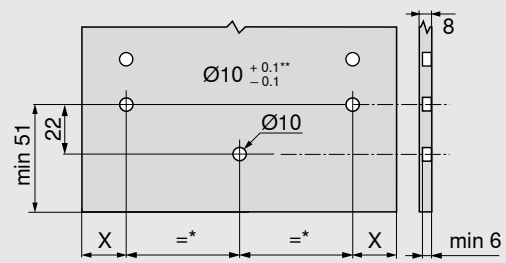
Planning

Drilling distances – front

LEGRABOX



MERIVOBX

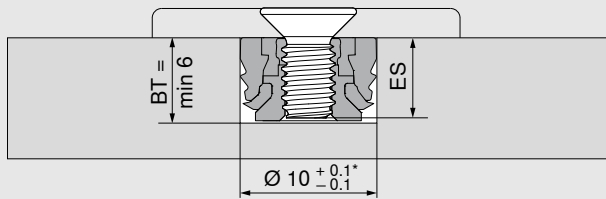


X = 14 mm + front overlay FA

* Min. 80 mm

** For stone and ceramics +0.2/-0.1 mm

Drilling depth | Screw selection – EXPANDO T



Screws with M4 thread have to be used for EXPANDO T single

The lowest possible drilling depth should be selected for the single dowel, depending on the screw length

BT Drilling depth

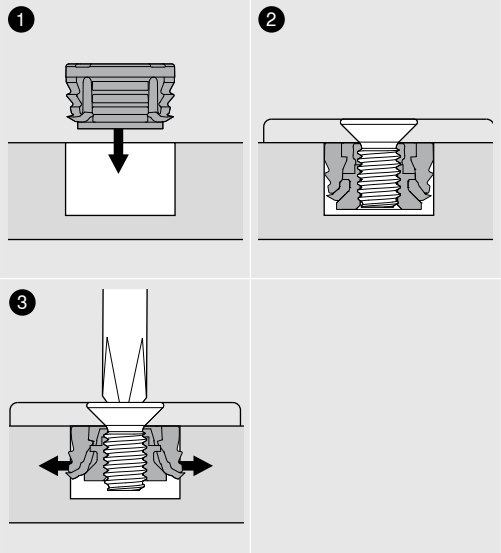
ES Screw penetration depth

ES min = 4 mm

ES max = BT - 0.5 mm

* For stone and ceramics +0.2/-0.1 mm

Assembly of EXPANDO T



Area of application and assembly recommendation

EXPANDO T is suitable for fixing Blum fittings to thin cabinet fronts of all types of materials.

Panels can be just 8 mm thick or more, provided they are sufficiently stable and strong.

Nm Minimum tightening torque

Materials tested by Blum

Chipboard	> 0.40	1.5
MDF	> 0.60	1.5
HDF		2
HPL		2
Mineral composites		2
Granite stone – Nero Assoluto		3
Artificial stone – quartz composite		3
Ceramic panels		3

Transverse tensile strength (N/mm²)

Nm



Information on assembly and adjustment

www.blum.com/EXPANDO_T_3

Liability disclaimer

Blum accepts no liability for the use of EXPANDO T in combination with materials not listed or fittings from other manufacturers. It is recommended that assembly be carried out by an experienced furniture manufacturer.

Support every step of the way

In addition to our practical assembly devices, we offer you numerous digital services that support you along the entire process chain - from planning and selection, to ordering and installation. We would also be delighted to advise you in person.

Marketing

Marketing Media Library

Use our high-resolution images, videos and brochures for your promotion campaigns and gain inspiration.

Concept, planning, quotation

Blum Inspirations

Inspire your customers with practical cabinet applications. We have compiled inspiring reports and background information for you at www.blum-inspirations.com.

Design

Product and Cabinet Configurator

Design, configure and save your projects online with ease – with our free Product and Cabinet Configurator.

Ordering

Distributor interface

Transfer your parts list from the Product and Cabinet Configurator directly to the web shop of selected distributors.



Manufacturing

MINIPRESS top with EASYSTICK

You receive manufacturing data from our Cabinet Configurator or your CAD software, so that you can transfer and edit your planning on MINIPRESS top with EASYSTICK.

Assembly

EASY ASSEMBLY app

Use our EASY ASSEMBLY app to install and adjust our fittings quickly and efficiently.

After sales service

Personal consultation

We provide personal after-sale support. Your contact at Blum will be happy to answer any questions you might have about our products and services.



moving ideas

We believe that ideas can move the world. We offer innovative fittings, inspiring furniture concepts and appropriate services so that you can turn your creative ideas into reality. We are driven by your needs, international trends and our shared vision of a better quality of living. Let us work together to create moving ideas.



Quality of living

We would like you to enjoy greater convenience and functionality when using furniture.



Product range

Everything from a single source: our wide range of products allows you to keep up with today's and tomorrow's trends.



Inspiration

We monitor global trends and strive to create the solutions of tomorrow. We like to share our insights with you.



Innovation

We stay in motion. Curiosity and pioneering spirit drive us to develop new products and services for you.



Services

We support your daily operations with customised services tailored to your processes.



Quality

We continuously strive to improve our products, services and ourselves.



Trust

We take responsibility for partnerships, our employees, society and the environment.

Julius Blum started our journey in 1952 with horseshoe studs. Today we supply innovative fittings to customers in over 120 countries.

Blum U.K.
Mandeville Drive
Kingston, Milton Keynes
GB-Buckinghamshire MK10 0AW
Tel.: 01908 285700
Fax: 01908 285701
E-mail: info.uk@blum.com

Julius Blum GmbH
Furniture Fittings Mfg.
6973 Höchst, Austria
Tel.: +43 5578 705-0
Fax: +43 5578 705-44
E-mail: info@blum.com
www.blum.com

Our sites in Austria, Poland and China are certified to the international standards mentioned below.
Our site in the USA is certified to ISO 9001.
Our site in Brazil is certified to ISO 9001, ISO 14001 and ISO 45001.



Look for our
FSC™-certified
products

All content is copyrighted by Blum.
Subject to technical modifications and changes to the range without notice.
IDNR: 000.000.0 - EP-392/2 EN-GB/02.23